

**NEW !
HIGH CURRENT !**



SPECIFICATIONS:

CONTACT RATING: 15A /250VAC (Resistive load).
 10A /250VAC (Inductive load).
 0.3A /250VDC (Inductive load).
 ELECTRICAL LIFE: 50,000cycles at full load.
 CONTACT RESISTANCE: 50m-ohms max.
 INSULATION RESISTANCE: 1,000M-ohms min.
 DIELECTRIC STRENGTH: 1,500V RMS 50Hz.
 IP CLASS: Latching_IP65; Momentary_IP67.
 TORQUE: 0.6Nm max. applied to nut
 OPERATING FORCE: 4N.
 OPERATING TEMPERATURE: -25°C~+55°C.

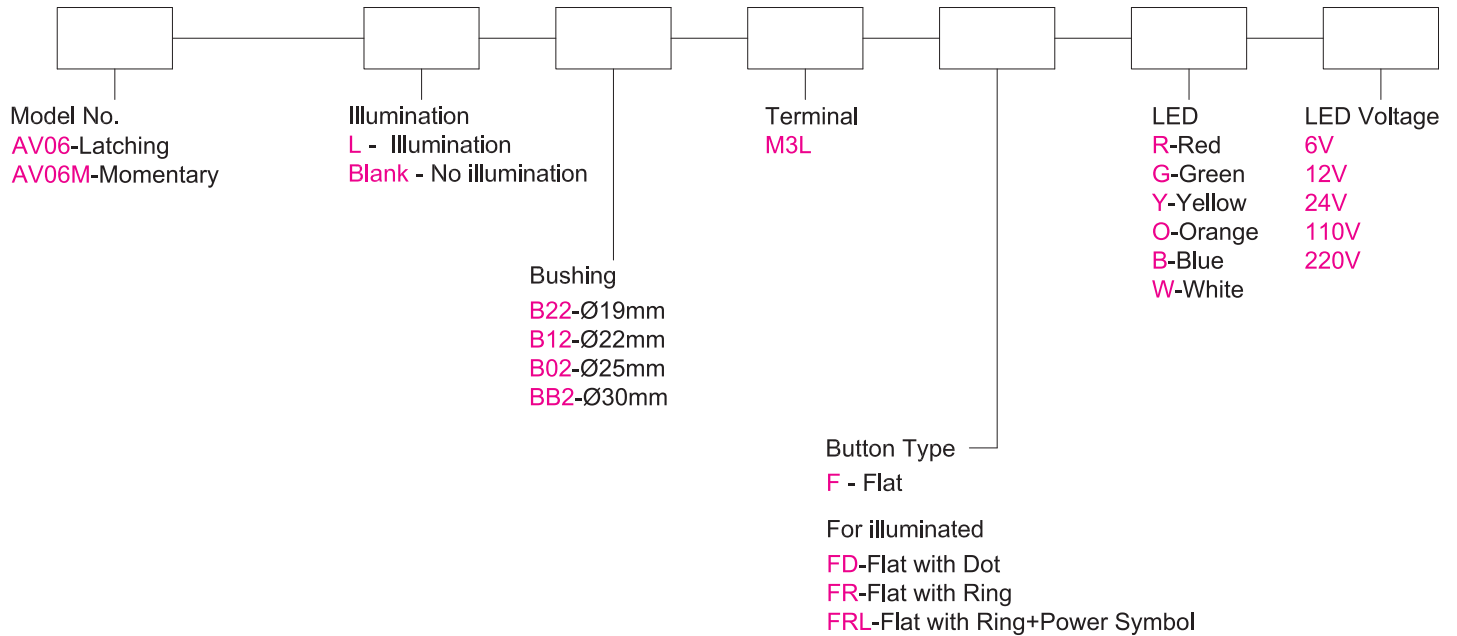
MATERIALS:

BUSHING: Stainless steel
 BODY: Stainless steel
 BASE: POM

Specifications and Dimensions subject to change

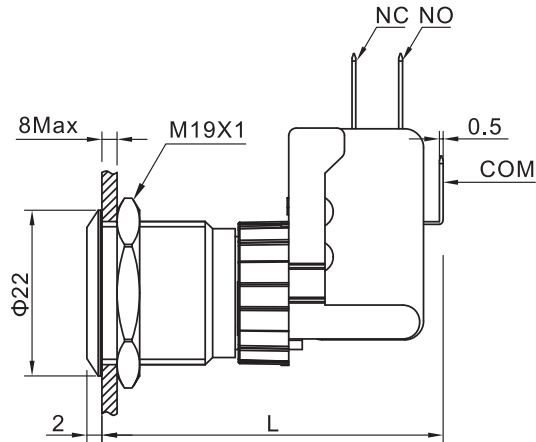
If your preferred product configuration is not shown, please contact our sales representative for custom design.

HOW TO ORDER SYSTEM



Non-Latching & Latching Ø19mm

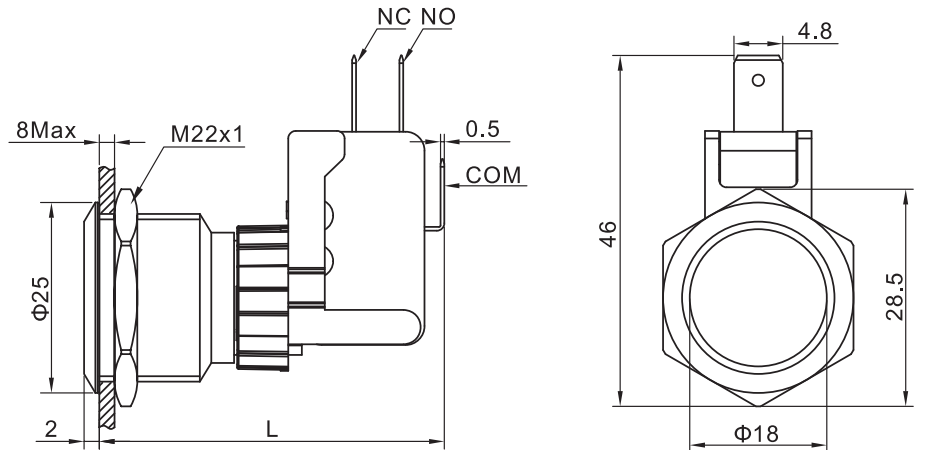
| Model No. | SPST Switching Position | |
|-----------|-------------------------|-----|
| AV06 | ON | ON |
| AV06M | ON | MOM |



Ex. P/N: AV06-B22-M3L-F (L=51.2mm)
AV06M-B22-M3L-F (L=44.9mm)

Non-Latching & Latching Ø22mm

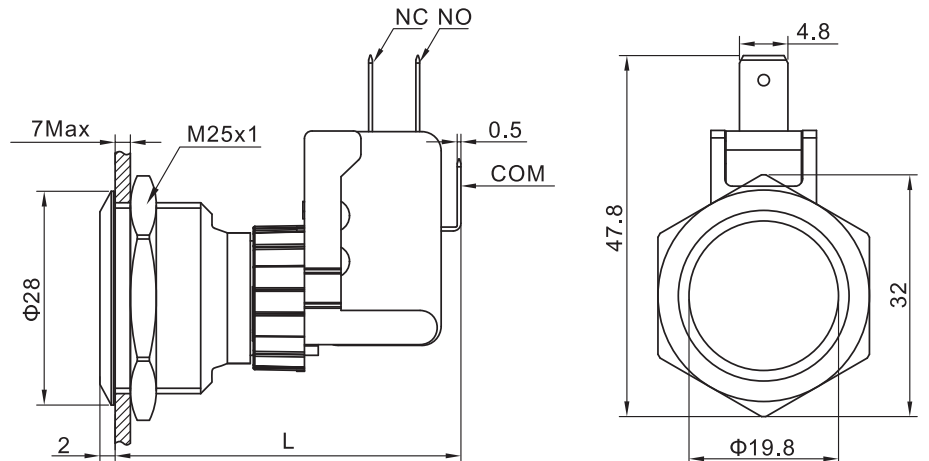
| Model No. | SPST Switching Position | |
|-----------|-------------------------|-----|
| AV06 | ON | ON |
| AV06M | ON | MOM |



Ex. P/N: AV06-B12-M3L-F (L=51.2mm)
AV06M-B12-M3L-F (L=44.9mm)

Non-Latching & Latching Ø25mm

| Model No. | SPST Switching Position | |
|-----------|-------------------------|-----|
| AV06 | ON | ON |
| AV06M | ON | MOM |



Ex. P/N: AV06-B02-M3L-F (L=51.2mm)
AV06M-B02-M3L-F (L=44.9mm)

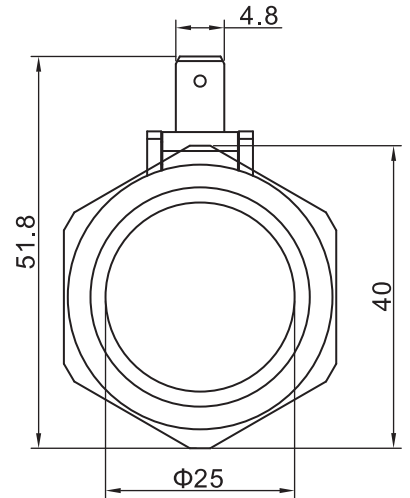
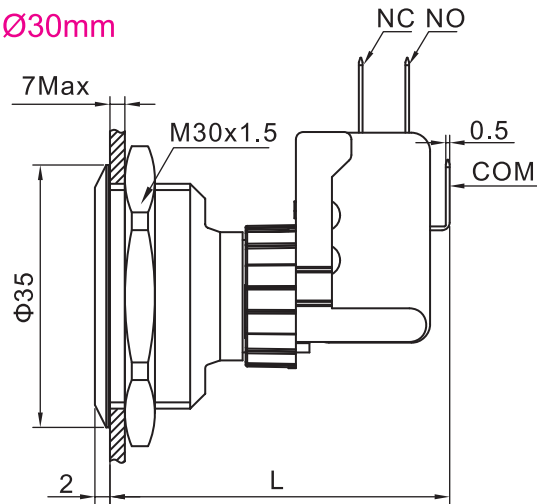
Toggle
Rocker
Slide
Pushbutton
AV
Rotary
Tact
Touch Key
Miscellaneous

Series AV06

Anti-Vandal Pushbutton Switches

Non-Latching & Latching Ø30mm

| Model No. | SPST Switching Position | |
|-----------|-------------------------|-----|
| AV06 | ON | ON |
| AV06M | ON | MOM |



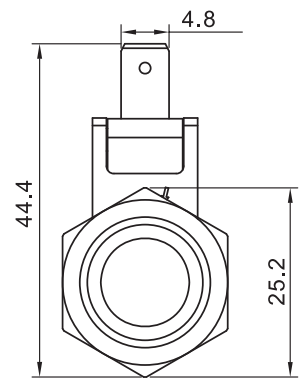
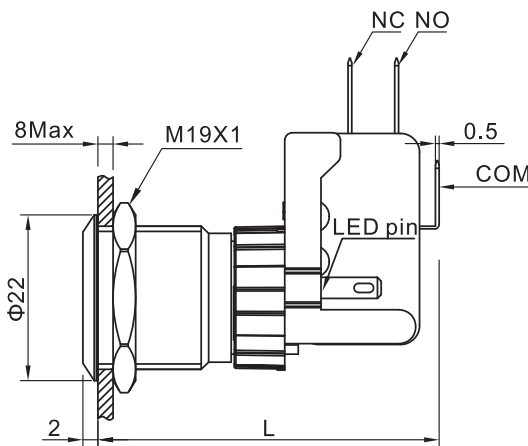
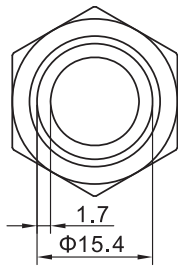
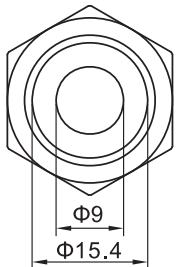
Ex. P/N: AV06-BB2-M3L-F (L=51.2mm)
AV06M-BB2-M3L-F (L=44.9mm)

Illuminated Non-Latching & Latching Ø19mm

| Model No. | SPST Switching Position | |
|-----------|-------------------------|-----|
| AV06L | ON | ON |
| AV06ML | ON | MOM |

Illuminated Dot

Illuminated Ring



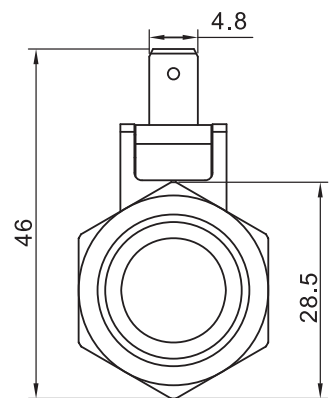
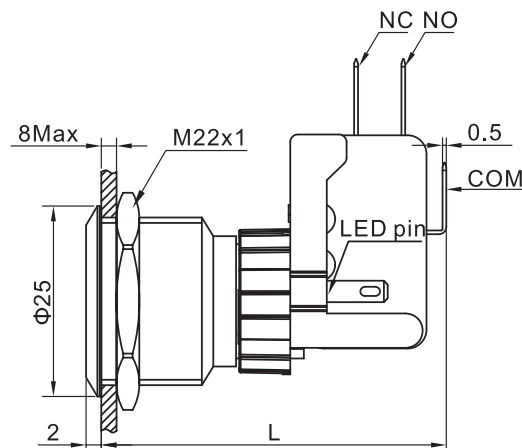
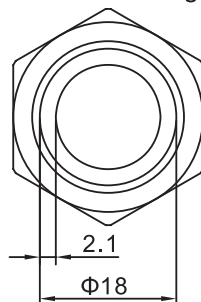
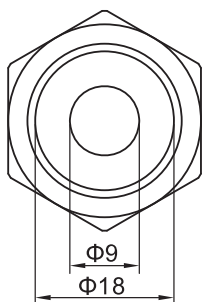
Ex. P/N: AV06L-B22-M3L-FD/FR (L=51.2mm)
AV06ML-B22-M3L-FD/FR (L=44.9mm)

Illuminated Non-Latching & Latching Ø22mm

| Model No. | SPST Switching Position | |
|-----------|-------------------------|-----|
| AV06L | ON | ON |
| AV06ML | ON | MOM |

Illuminated Dot

Illuminated Ring

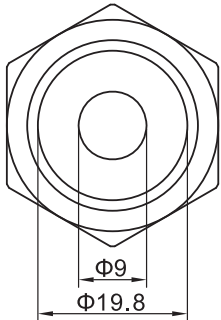


Ex. P/N: AV06L-B12-M3L-FD/FR (L=51.2mm)
AV06ML-B12-M3L-FD/FR (L=44.9mm)

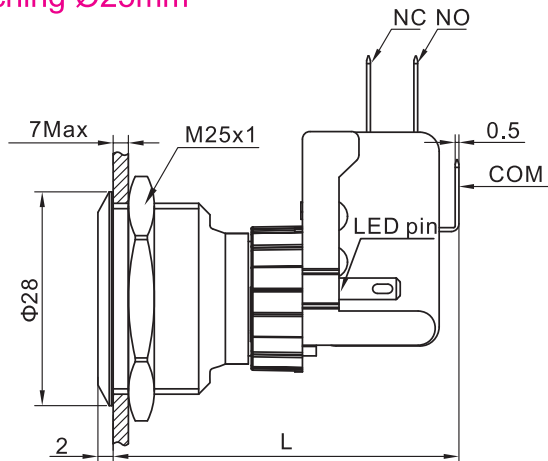
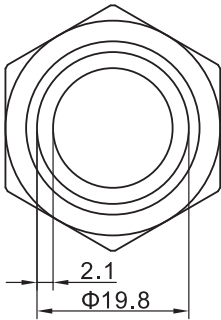
Illuminated Non-Latching & Latching Ø25mm

| Model No. | SPST Switching Position | |
|-----------|-------------------------|-----|
| AV06L | ON | ON |
| AV06ML | ON | MOM |

Illuminated Dot



Illuminated Ring

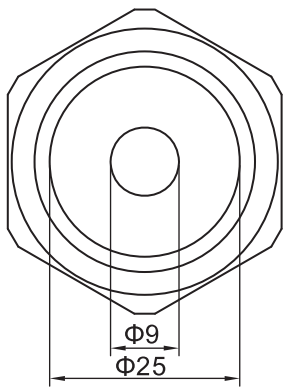


Ex. P/N: AV06L-B02-M3L-FD/FR (L=51.2mm)
AV06ML-B02-M3L-FD/FR (L=44.9mm)

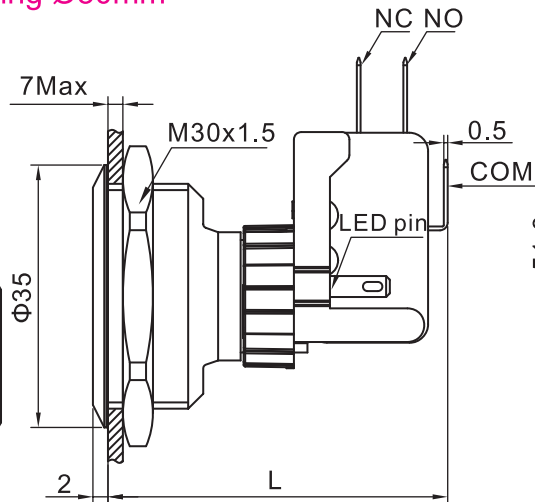
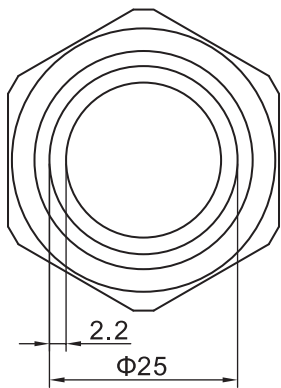
Illuminated Non-Latching & Latching Ø30mm

| Model No. | SPST Switching Position | |
|-----------|-------------------------|-----|
| AV06L | ON | ON |
| AV06ML | ON | MOM |

Illuminated Dot



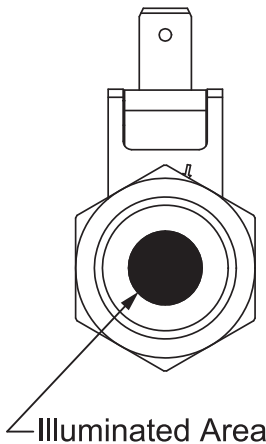
Illuminated Ring



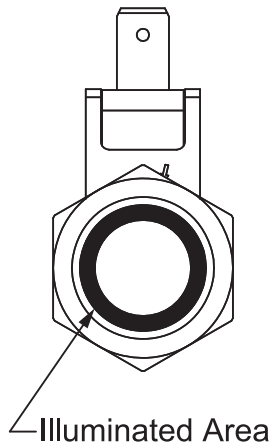
Ex. P/N: AV06L-BB2-M3L-FD/FR (L=51.2mm)
AV06ML-BB2-M3L-FD/FR (L=44.9mm)

BUTTON TYPE

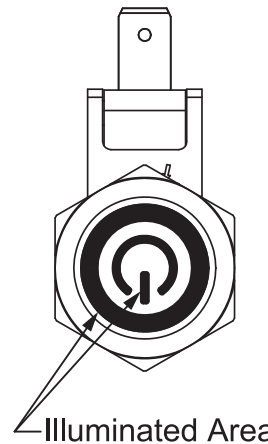
FD: Flat Dot



FR: Flat Ring



FRL: Flat Ring + Power Symbol



BUSHING & BUTTON MATERIAL OPTIONS

| Code | Bushing Size | Bushing & Button Material |
|------------------------|----------------|---|
| B22,B12,B02,BB2 | Ø19,22,25,30mm | Stainless steel with varnished polished |

LED COLOR OPTIONS

| Code | LED Color |
|----------|-----------|
| R | Red |
| G | Green |
| Y | Yellow |
| O | Orange |
| B | Blue |
| W | White |

OPTION CODE

| Code | LED Voltage and Consumption |
|-------------|-----------------------------|
| 6V | 6V (AC/DC Compatible) |
| 12V | 12V (AC/DC Compatible) |
| 24V | 24V (AC/DC Compatible) |
| 110V | 110V (AC/DC Compatible) |
| 220V | 220V (AC/DC Compatible) |