

SPECIFICATIONS:

CONTACT RATING: 5A 250VAC max.
 ELECTRICAL LIFE: 5A 250VAC 50,000 cycles.
 4A 250VAC 60,000 cycles.
 2A 250VAC 200,000 cycles.
 1A 250VAC 400,000 cycles.
 CONTACT RESISTANCE: 50m-ohms max. initial.
 INSULATION RESISTANCE: 500VDC 10M-ohms min.
 DIELECTRIC STRENGTH: 2500VAC, 50Hz for 1 minute.
 CONTACT MATERIAL: Silver plated gold flash.
 CASE MATERIAL: High performance plastic with resistance to high temperature and oily environment.
 OPERATING TEMPERATURE: -25°C to +55°C.
 SOLDERING TEMPERATURE: 300°C for 5sec.

FEATURES:

- Apparent shapes with rectangle 18x24mm, square 18x18mm and round diameter 18mm.
- High bezel that prevents accidental touching.
- Illuminated by midget grooved T 1 3/4 lamp or multi-LED.
- Snap-action which accelerates on-off switching.
- Normally closed and normally open contacts in each switch block.
- Available with IP65 protection class. (Series 180A)

Specifications and Dimensions subject to change

MOMENTARY ACTIONS

Model No.	Type	Contact block diagram (button not depressed)	Mounting Length (A)	Case Colour
SP-11	Illuminated		29 mm	black
SP-01	Non-illuminated			red
DP-11	Illuminated		36.5 mm	black
DP-01	Non-illuminated			red

ALTERNATE ACTIONS

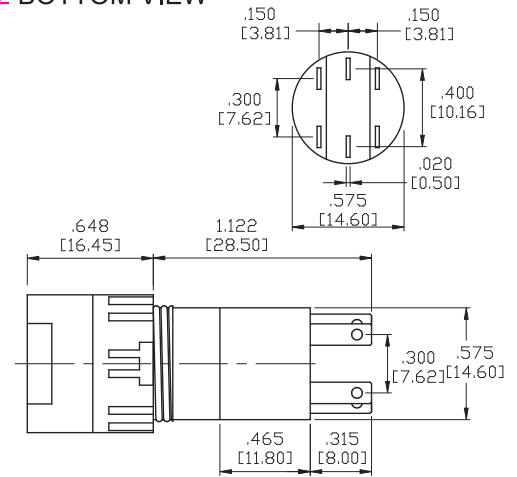
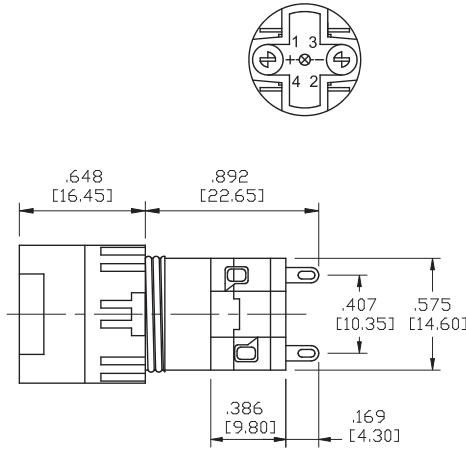
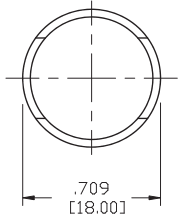
Model No.	Type	Contact block diagram (button not depressed)	Mounting Length (A)	Case Colour
SP-22	Illuminated		29 mm	black
SP-02	Non-illuminated			red
DP-22	Illuminated		36.5 mm	black
DP-02	Non-illuminated			red

SHAPE & TERMINATION

ROUND

A1 BOTTOM VIEW

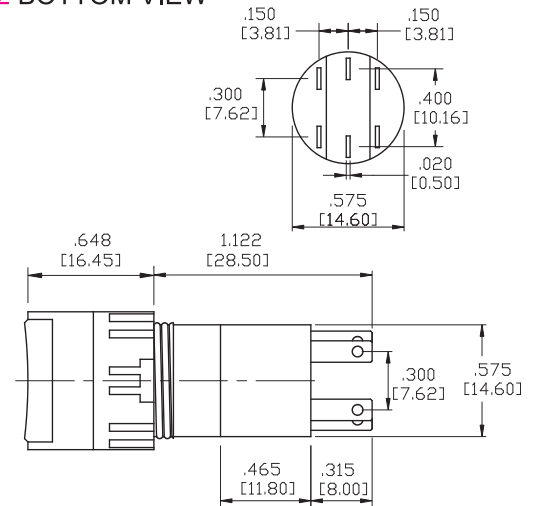
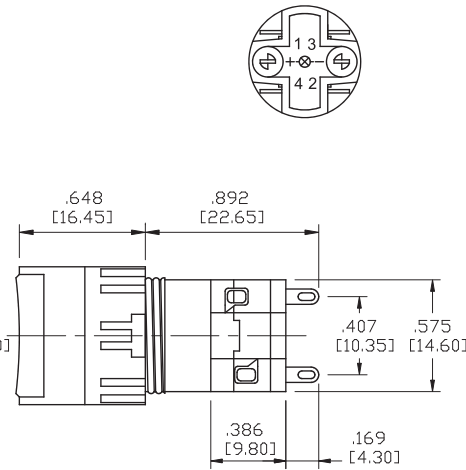
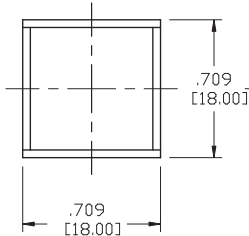
A2 BOTTOM VIEW



SQUARE

B1 BOTTOM VIEW

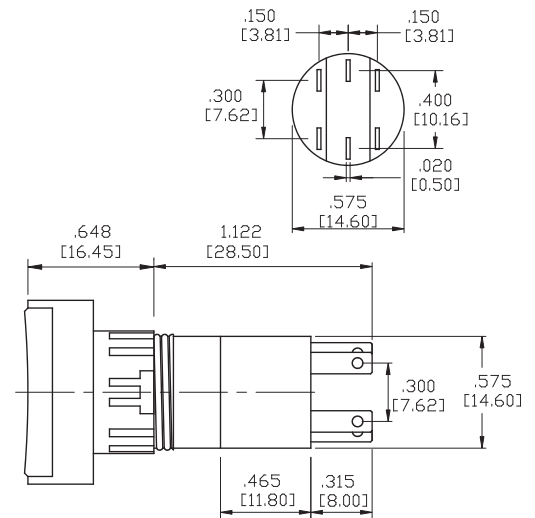
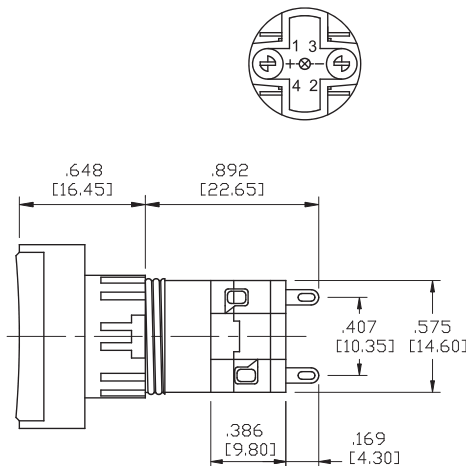
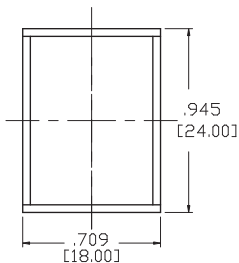
B2 BOTTOM VIEW



RECTANGULAR

C1 BOTTOM VIEW

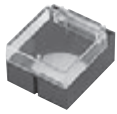
C2 BOTTOM VIEW



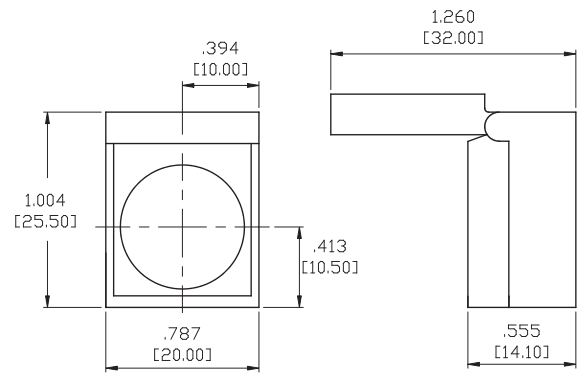
Toggle
Rocker
Slide
Pushbutton
AV
Rotary
Tact
Touch Key
Miscellaneous

ACCESSORIES

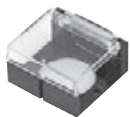
01P-200S



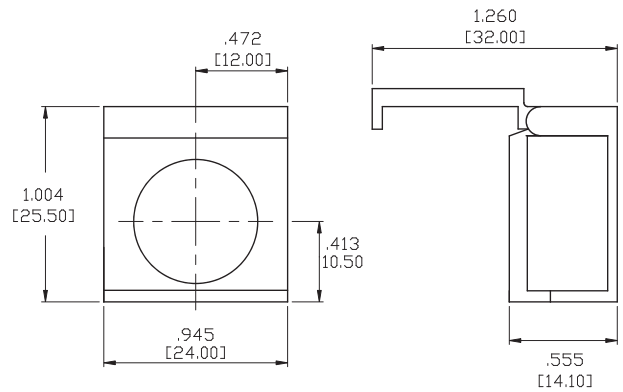
Category	Description
Protection Cap	For square head (90°C)



01P-200R



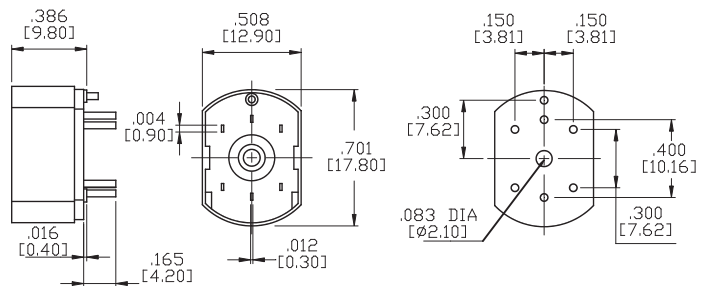
Category	Description
Protection Cap	For rectangular head (90°C)



01P-300



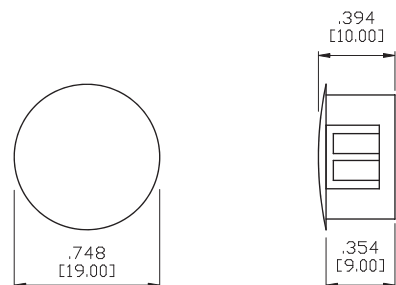
Category	Description
PCB Mounting Socket	Socket insert into PCB board is available for socket type push button switch installation



01P-400



Category	Description
Blanking Plate Block	PVC stopper to stuff the superfluous hole of the panel board only for 16mm hole



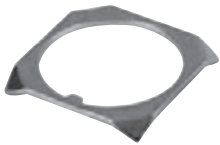
ACCESSORIES

01P-500



Category	Description
Connector	Insulation Socket 2.8 x 0.5mm

010-100



Category	Description
Washer	Anti twisting Ring

01P-T01



Category	Description
Mounting Wrench	Use this for tightening the switch in the mounting hole

01P-T02



Category	Description
Lens Removing Tool	Use this for replacing the fitted color lens

01P-T03



Category	Description
Lamp Extractor	Lamp removing tool

Toggle

Rocker

Slide

Pushbutton

AV

Rotary

Tact

Touch Key

Miscellaneous

BUTTON COLOR OPTIONS

R = Red

Y = Yellow

G = Green

LAMP & LED OPTIONS

LAMP

A = 110V

B = 220V

C = 6V

D = 12V

E = 24V

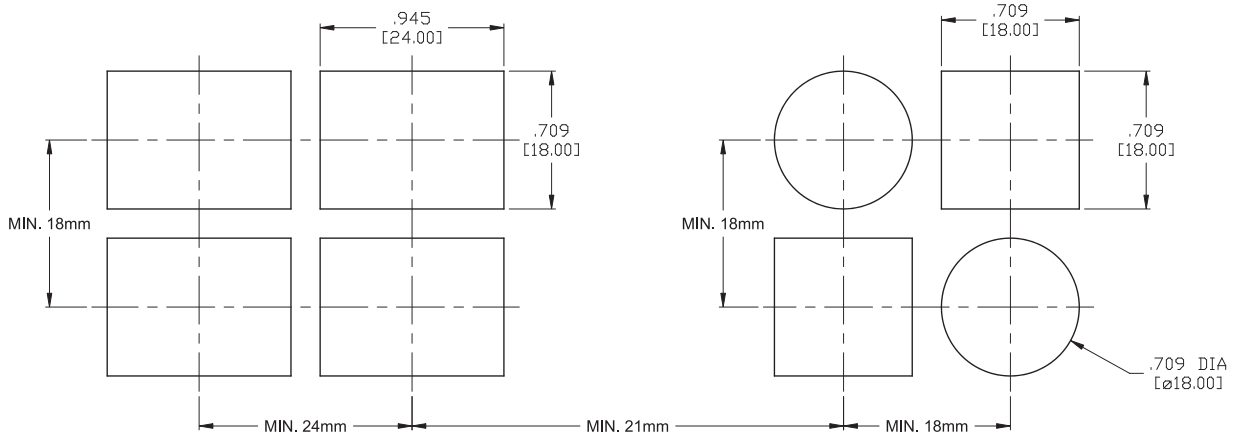
LED

F = 12V

G = 24V

PANEL MOUNTINGS

For multi-switches mounting layout



HOW TO ORDER

