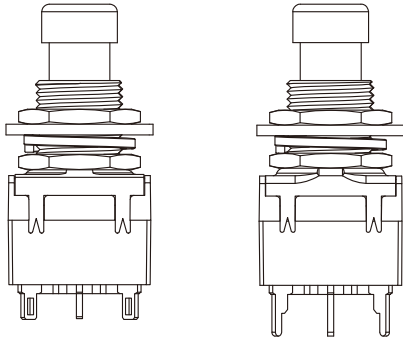


SPECIFICATIONS:

CONTACT RATING: 2A/4A 250/125VAC, 2A/4A 24/12VDC.  
 ELECTRICAL LIFE: 20,000 make-and-break cycles at full load.  
 CONTACT RESISTANCE: 50m-ohms max. initial @2-4VDC  
 INSULATION RESISTANCE: 500VDC 100M-ohms min.  
 DIELECTRIC STRENGTH: 1,500VAC for 1 minute.  
 OPERATING FORCE: SPDT (M1 & M2) 1500gf, DPDT (M1) 1600gf (M2) 1900gf, 3PDT (M1 & M2) 3500gf.  
 OPERATING TEMPERATURE: -20°C to +65°C

NEW !



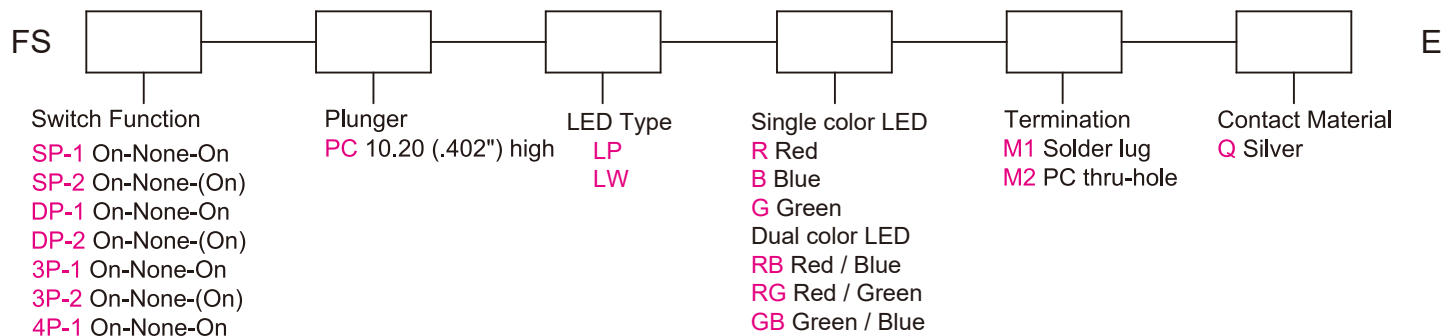
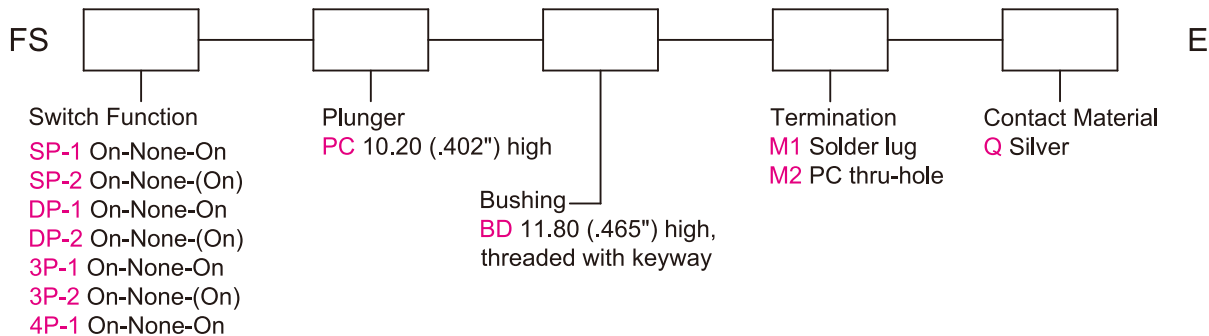
MATERIALS:

BASE: Nylon 66 (UL94V-0).  
 PLUNGER & CAP: Brass, nickel plated.  
 BUSHING: Brass, nickel plated  
 COVER: Stainless steel.  
 PIVOT PIN: Brass or POM.  
 SPRING: Piano wire.  
 TERMINAL & CONTACT: Copper, tin plated.  
 NUT: Brass, nickel plated.  
 RING: POM.  
 WASHER: Steel, nickel plated.

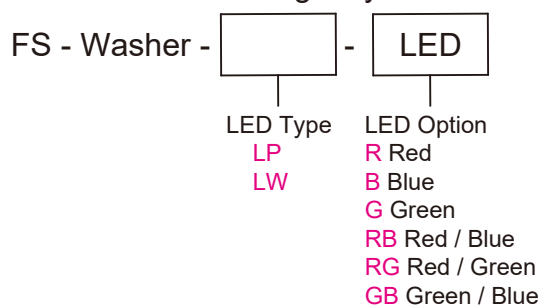
Specifications and Dimensions subject to change

If your preferred product configuration is not shown, please contact our sales representative for custom design.

HOW TO ORDER SYSTEM



For LED Washer ring only

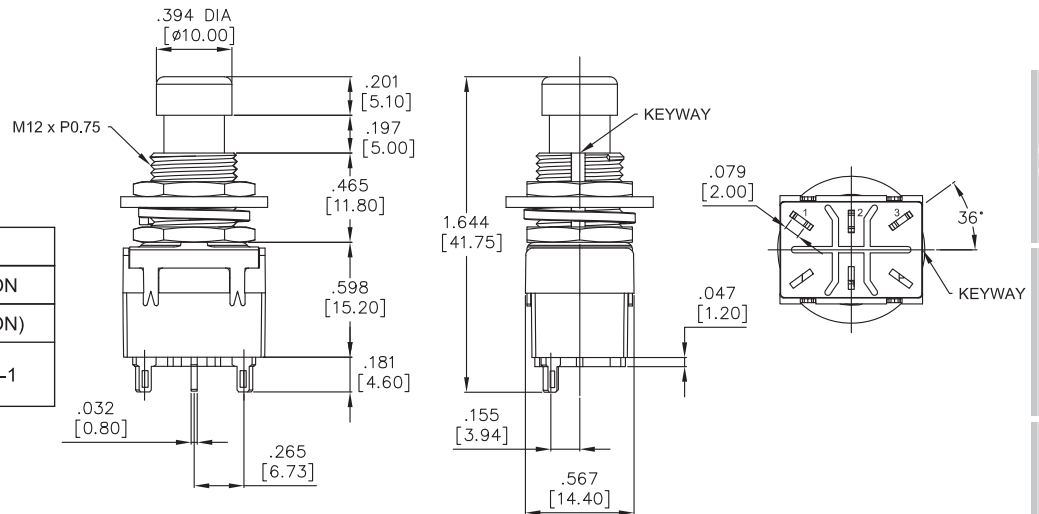


## SPDT



Model No.	Switching Position		
SP-1	ON	NONE	ON
SP-2	ON	NONE	(ON)
Term. Comm.	2-3	OPEN	2-1

Schematic

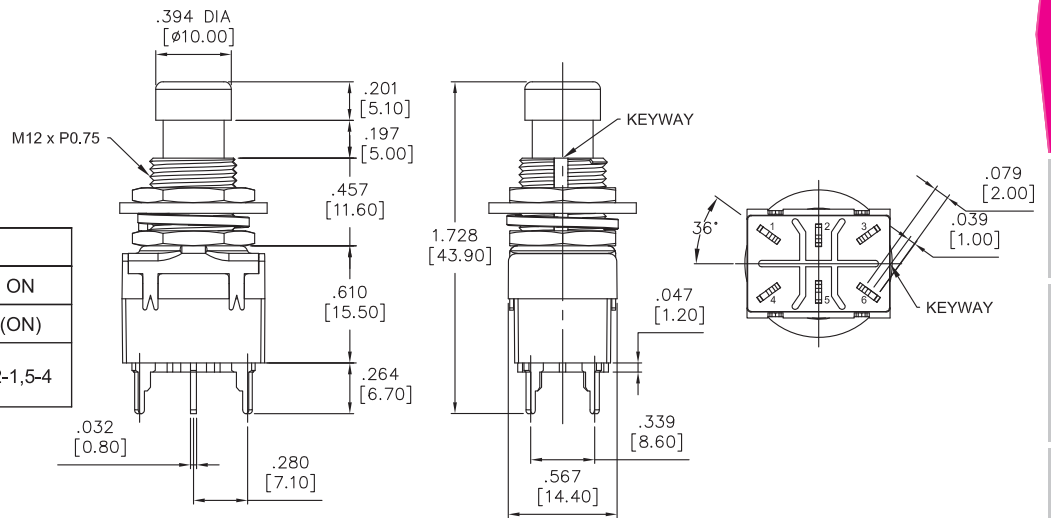
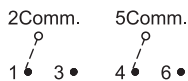


## DPDT



Model No.	Switching Position		
DP-1	ON	NONE	ON
DP-2	ON	NONE	(ON)
Term. Comm.	2-3,5-6	OPEN	2-1,5-4

Schematic

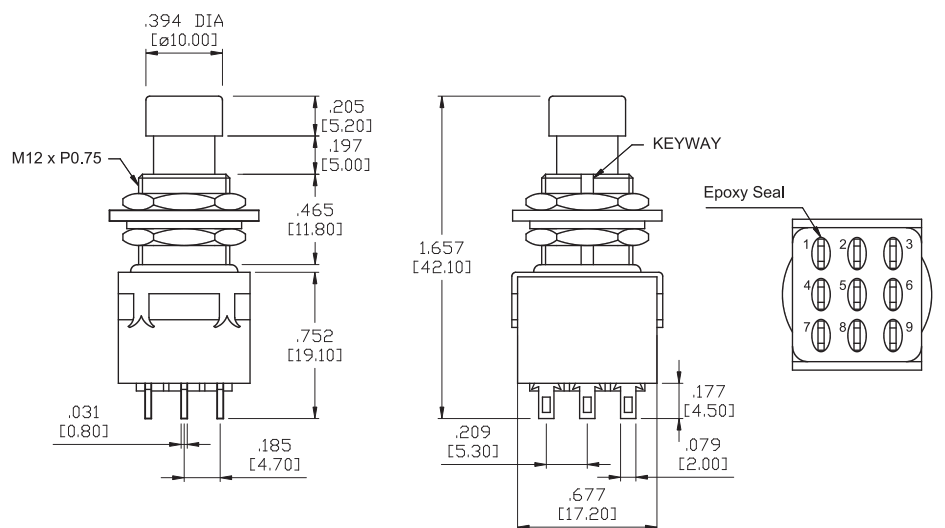
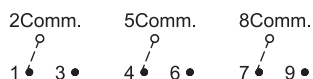


## 3PDT



Model No.	Switching Position		
3P-1	ON	NONE	ON
3P-2	ON	NONE	(ON)
Term. Comm.	2-3,5-6 8-9	OPEN	2-1,5-4 8-7

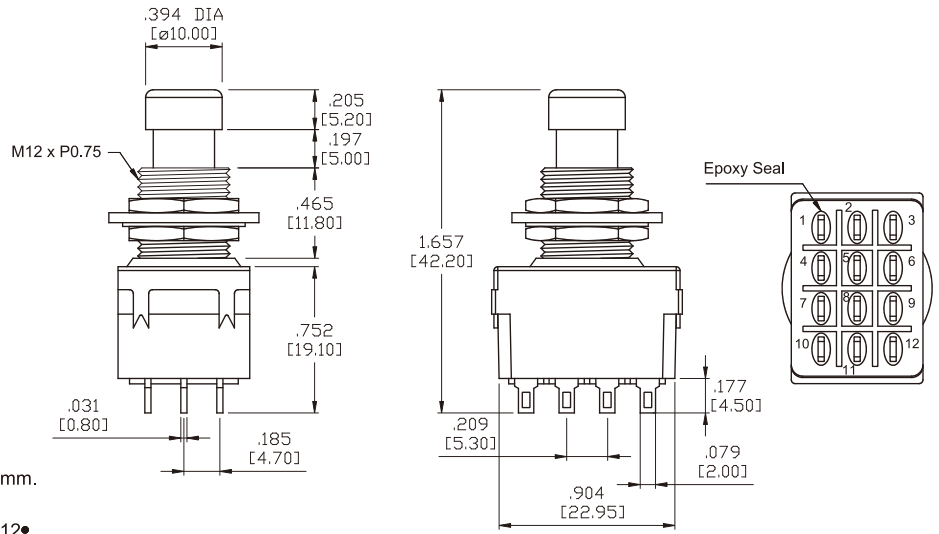
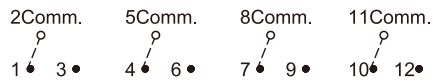
Schematic



## 4PDT

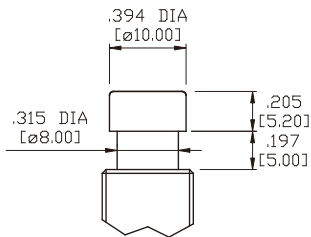
Model No.	Switching Position		
4P-1	ON	NONE	ON
Term. Comm.	2-3,5-6 8-9,11-12	OPEN	2-1,5-4 8-7,11-10

Schematic

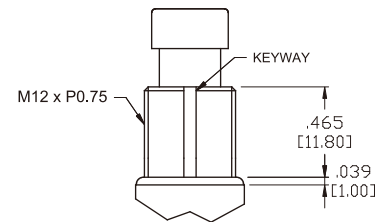


## PLUNGER & BUSHING OPTIONS

### PC

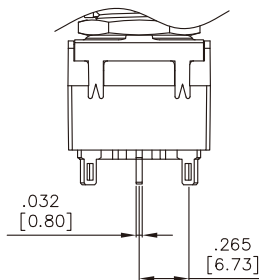


### BD

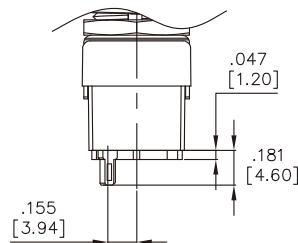


## TERMINATION OPTIONS

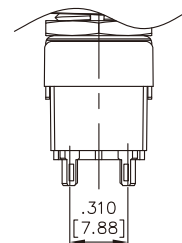
### M1



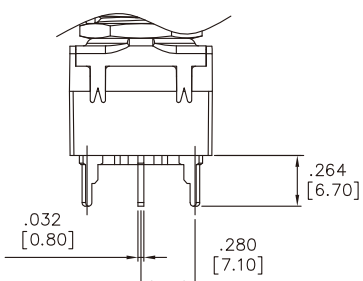
### SP



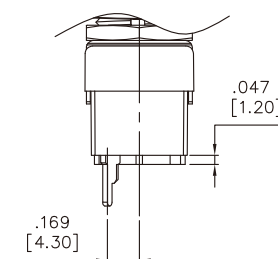
### DP



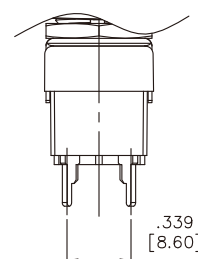
### M2



### SP

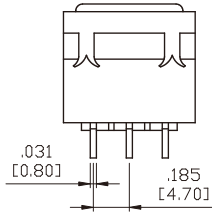


### DP

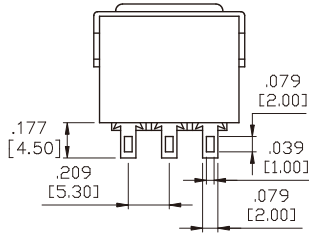


TERMINATION OPTIONS

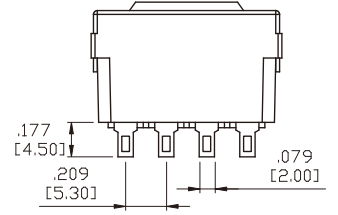
M1



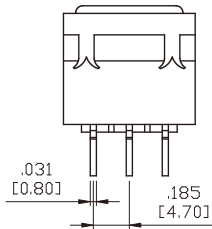
3P



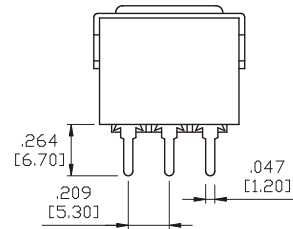
4P



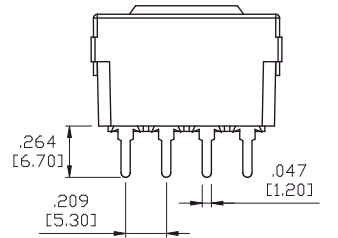
M2



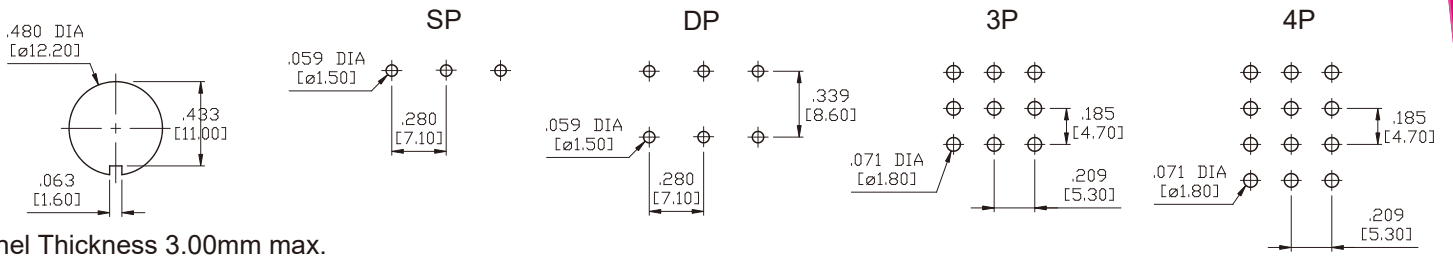
3P



4P



PANEL & PC MOUNTING



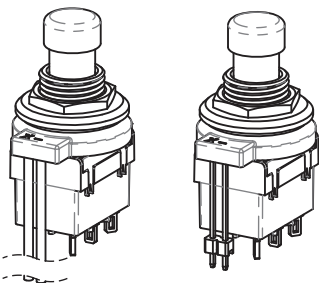
Panel Thickness 3.00mm max.

LED TYPE & MOUNTING

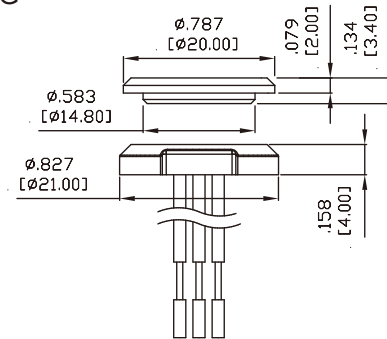
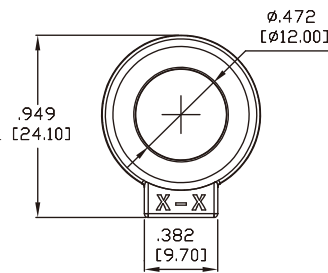
SINGLE COLOR LED

LW

LP



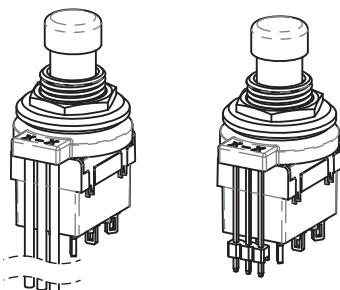
DIMENSIONS OF THE LED RING



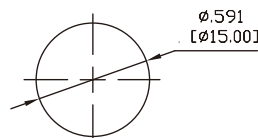
DUAL COLOR LED

LW

LP

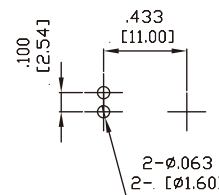


Mounting Cut-out

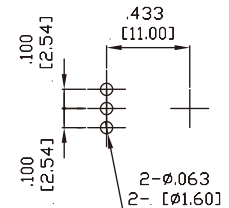


Panel Thickness:  
0.8mm Min.  
3.0mm Max.

Single Color  
PCB Mounting Layout



Dual Colors  
PCB Mounting Layout



Toggle

Rocker

Slide

Pushbutton

AV

Rotary

Tact

Touch Key

Miscellaneous

---

**LED COLOR OPTION**

---

Code	Single color LED
<b>R</b>	Red
<b>B</b>	Blue
<b>G</b>	Green
Code	Dual color LED
<b>RB</b>	Red / Blue
<b>RG</b>	Red / Green
<b>GB</b>	Green / Blue