

SPECIFICATIONS:

VOLTAGE RANGE: Refer to Voltage Option.
 RATED CURRENT: 15mA.
 DIELECTRIC STRENGTH: 1,100V RMS 50~60Hz.
 OPERATING TEMPERATURE: -20°C to +55°C
 IP CLASS: IP67 / IP68 front panel protection.
 TORQUE: 5~14Nm max. applied to nut.

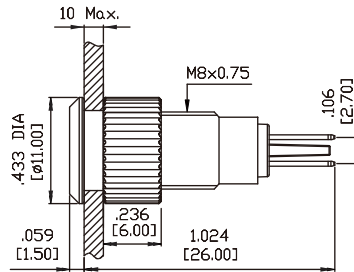
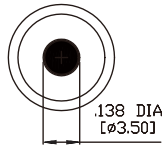
MATERIALS:

LED COVER: PC.
 BODY: Brass nickel plated ,Stainless steel,
 Brass black nickel Plated
 BASE: PBT.
 ILLUMINANT: LED.

Specifications and Dimensions subject to change

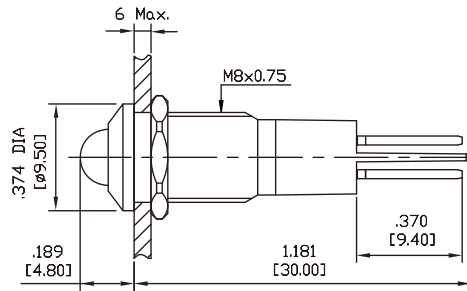
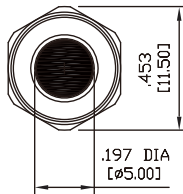
NI-04 Indicator

Flat bezel



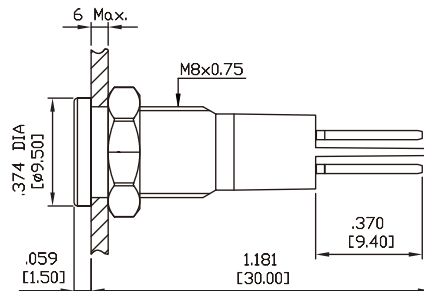
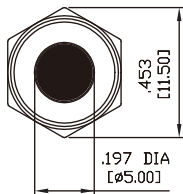
IL-NI-04-x-y-N

Domed bezel



IL-NI-04-x-y-z-D-M3

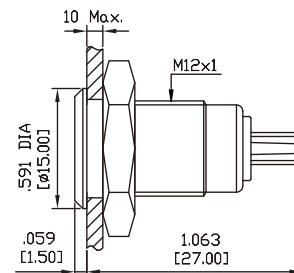
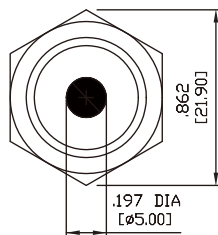
T-Flat bezel



IL-NI-04-x-y-z-T-M3

NI-05 Indicator

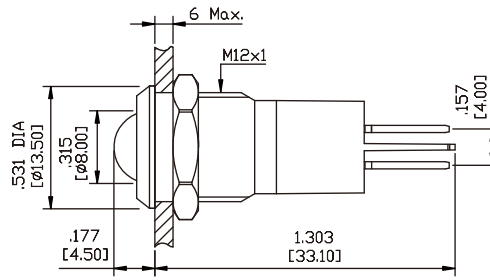
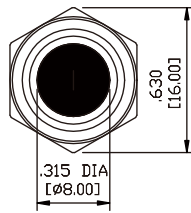
Flat bezel



IL-NI-05-x-y-z-M3

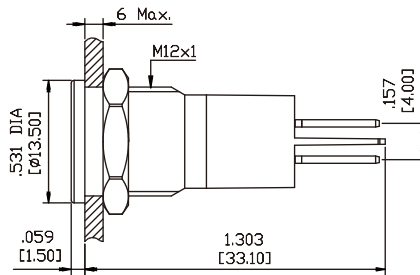
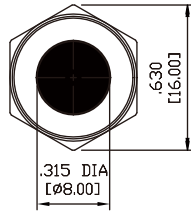
NI-05 Indicator

Domed bezel



IL-NI-05-x-y-z-D-M3

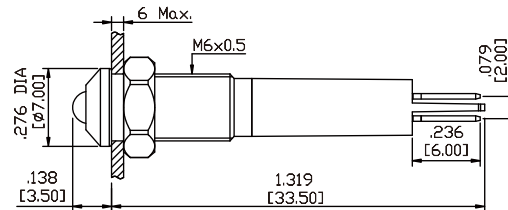
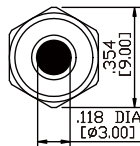
T-Flat bezel



IL-NI-05-x-y-z-T-M3

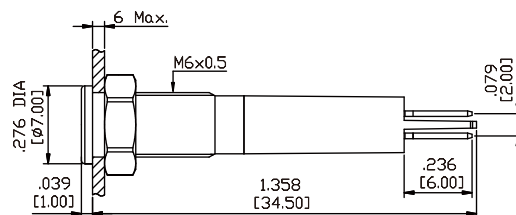
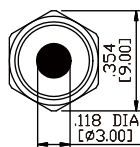
NI-06 Indicator

Domed bezel



IL-NI-06-x-y-z-D-M3

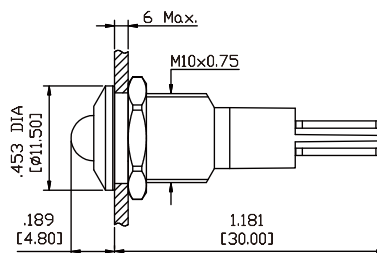
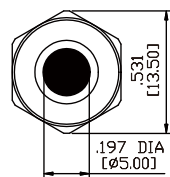
T-Flat bezel



IL-NI-06-x-y-z-T-M3

NI-10 Indicator

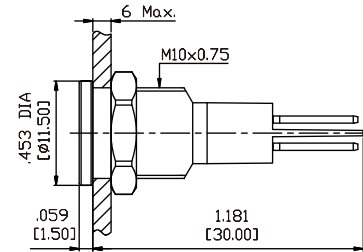
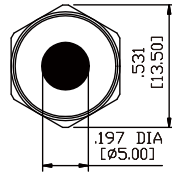
Domed bezel



IL-NI-10-x-y-z-D-M3

NI-10 Indicator

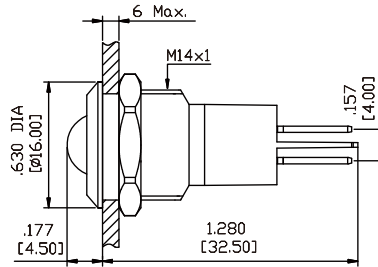
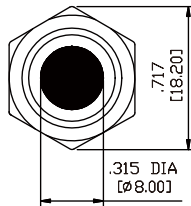
T-Flat bezel



IL-NI-10-x-y-z-T-M3

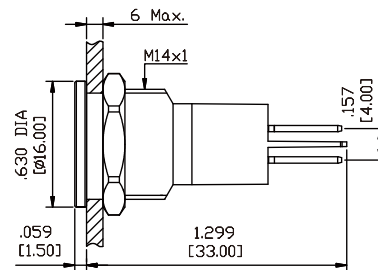
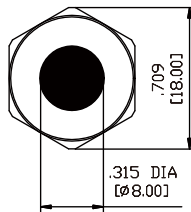
NI-14 Indicator

Domed bezel



IL-NI-14-x-y-z-D-M3

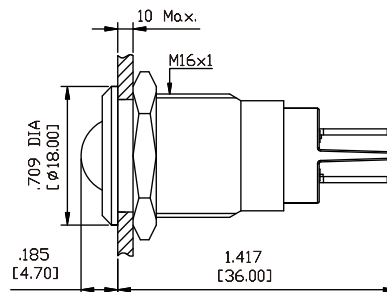
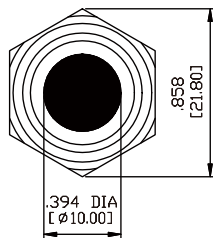
T-Flat bezel



IL-NI-14-x-y-z-T-M3

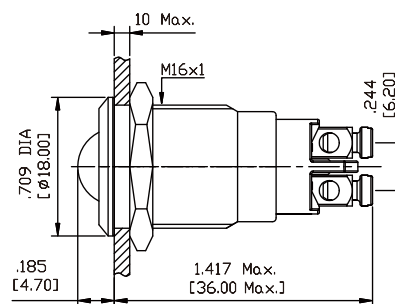
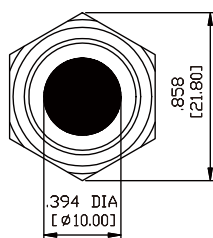
NI-16 Indicator

Domed bezel (M3)



IL-NI-16-x-y-z-D-M3

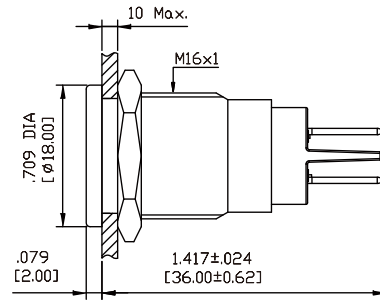
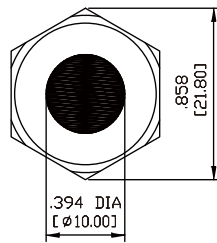
Domed bezel (M1)



IL-NI-16-x-y-z-D-M1

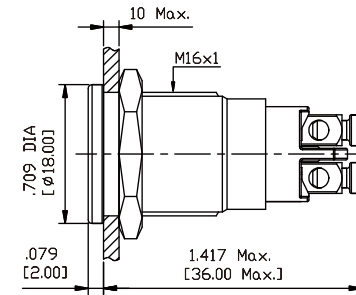
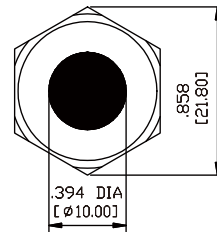
NI-16 Indicator

T-Flat bezel (M3)



IL-NI-16-x-y-z-T-M3

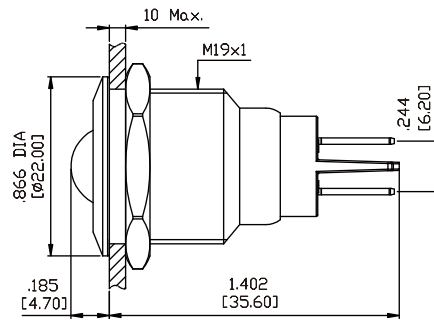
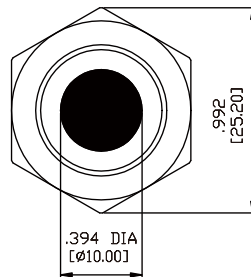
T-Flat bezel (M1)



IL-NI-16-x-y-z-T-M1

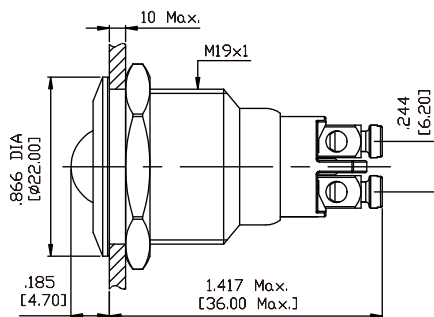
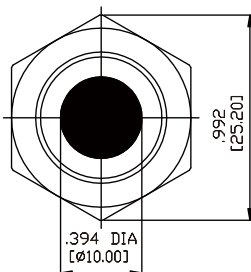
NI-19 Indicator

Domed bezel (M3)



IL-NI-19-x-y-z-D-M3

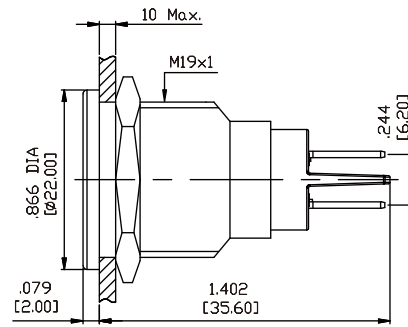
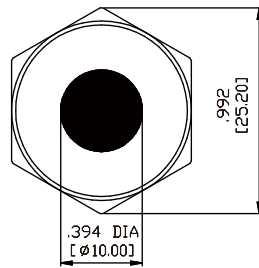
Domed bezel (M1)



IL-NI-19-x-y-z-D-M1

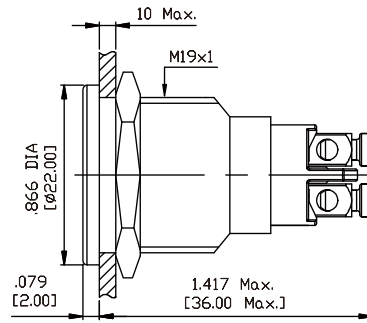
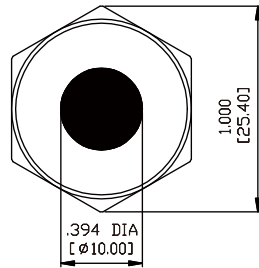
NI-19 Indicator

T-Flat bezel (M3)



IL-NI-19-x-y-z-T-M3

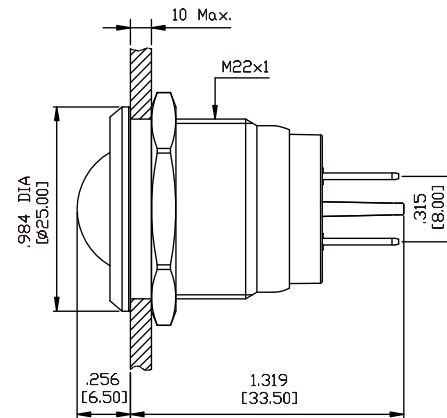
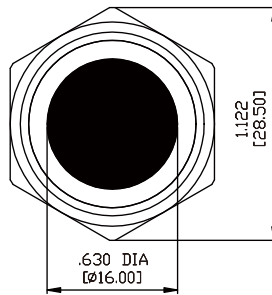
T-Flat bezel (M1)



IL-NI-19-x-y-z-T-M1

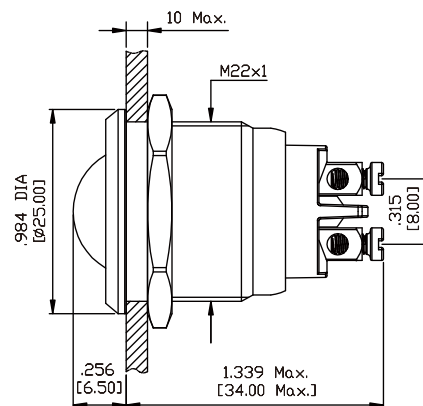
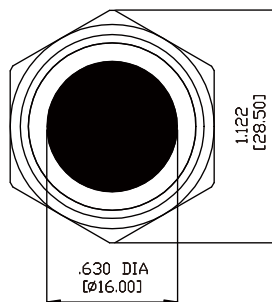
NI-22 Indicator

Domed bezel (M3)



IL-NI-22-x-y-z-D-M3

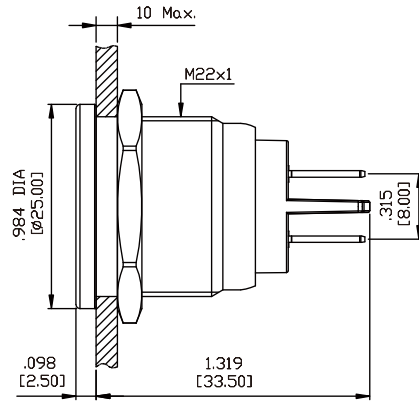
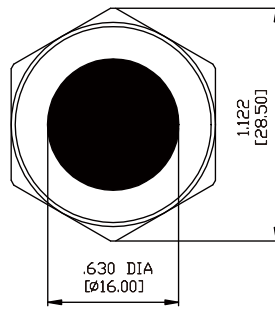
Domed bezel (M1)



IL-NI-22-x-y-z-D-M1

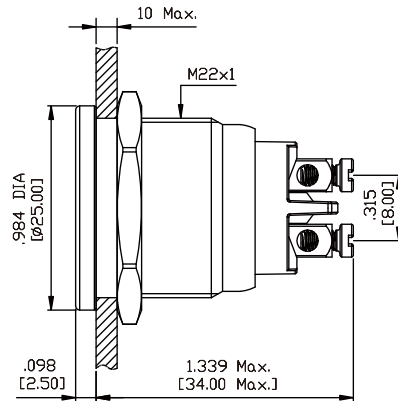
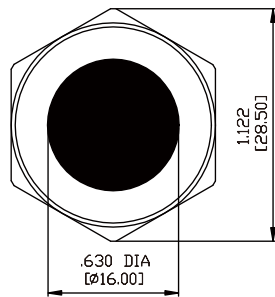
NI-22 Indicator

T-Flat bezel (M3)



IL-NI-22-x-y-z-T-M3

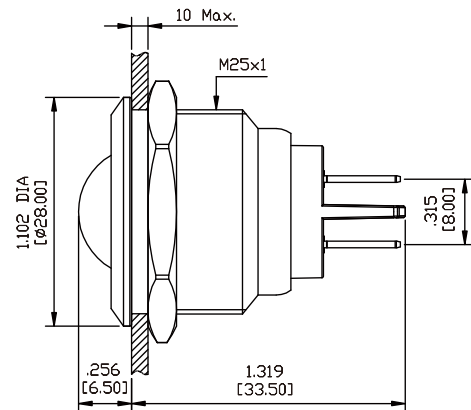
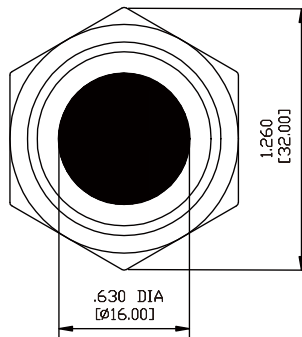
T-Flat bezel (M1)



IL-NI-22-x-y-z-T-M1

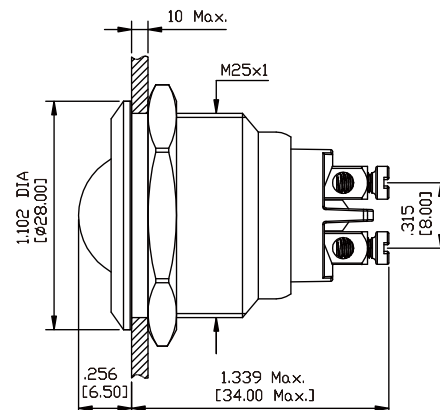
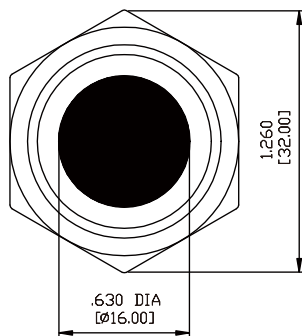
NI-25 Indicator

Domed bezel (M3)



IL-NI-25-x-y-z-D-M3

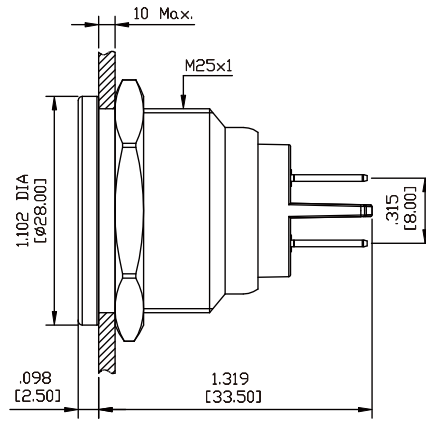
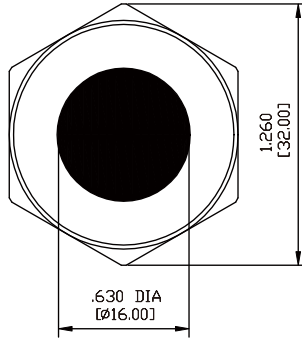
Domed bezel (M1)



IL-NI-25-x-y-z-D-M1

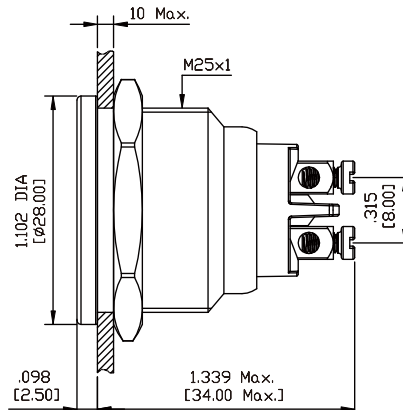
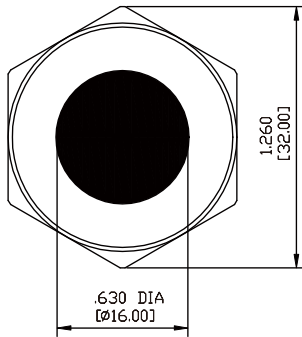
NI-25 Indicator

T-Flat bezel (M3)



IL-NI-25-x-y-z-T-M3

T-Flat bezel (M1)



IL-NI-25-x-y-z-T-M1

LED & VOLTAGE OPTIONS & BODY MATERIAL

LED Colors

Code	Color
R	Red
G	Green
Y	Yellow
O	Orange
B	Blue
W	White

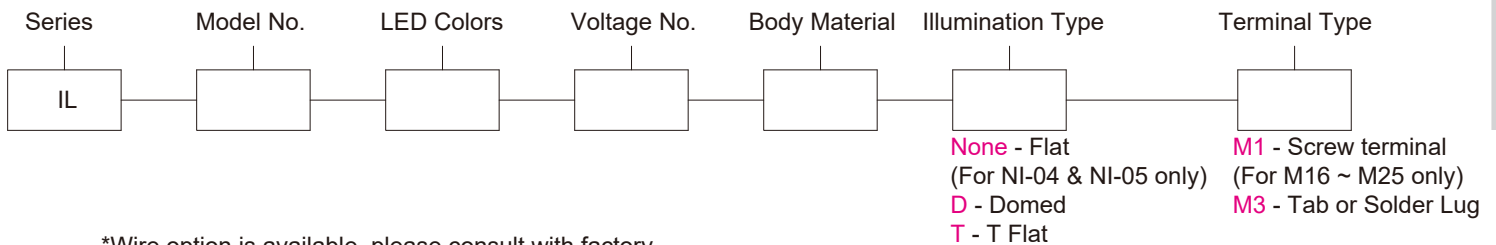
Voltage

Code	Voltage
1	2V
2	6V
3	12V
4	24V
5	110V
6	220V
7	36V
8	2.8V
9	5V
10	48V
11	9V

Body Material

Code	Body Material
N	Brass nickel plated *Not available for NI-19 · NI-22 · NI-25
S	Stainless steel *Not available for NI-04 Flat type
K	Brass black nickel plated

HOW TO ORDER



*Wire option is available, please consult with factory.