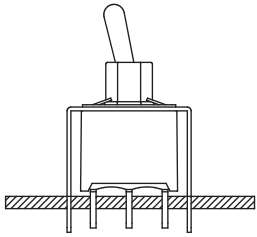
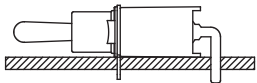


## SPECIFICATIONS:

CONTACT RATING: Refer to "Contact Material Options" for more info.  
 ELECTRICAL LIFE: 50,000 make-and-break cycles at full load.  
 CONTACT RESISTANCE: 10mΩ max. initial @2-4VDC  
 100mA for both silver and gold plated contacts.  
 INSULATION RESISTANCE: 1,000MΩ Min.  
 DIELECTRIC STRENGTH: 1,500 V RMS @ sea level.  
 OPERATING TEMPERATURE: -30°C~+85°C.

## MATERIALS:

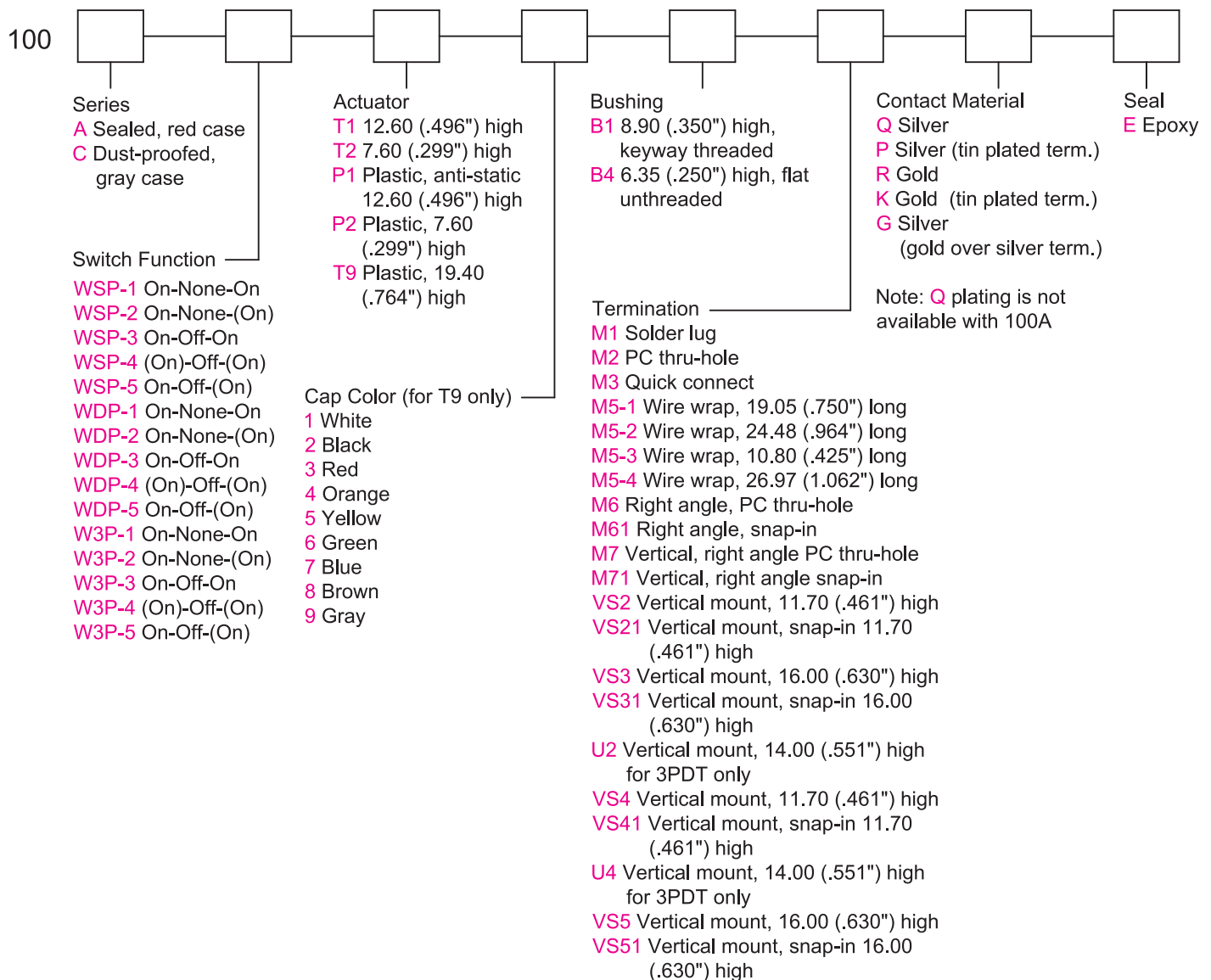
CASE & BUSHING: PA9T or FR52, flame retardant, heat stabilized (UL94V-0).  
 ACTUATOR: Brass chrome plated, internal o-ring sealed (100A).  
 ACTUATOR: Brass chrome plated (100C).  
 SWITCH SUPPORT: Brass, tin plated.  
 TERMINAL SEAL: Epoxy.



Specifications and Dimensions subject to change

If your preferred product configuration is not shown, please contact our sales representative for custom design.

## HOW TO ORDER SYSTEM



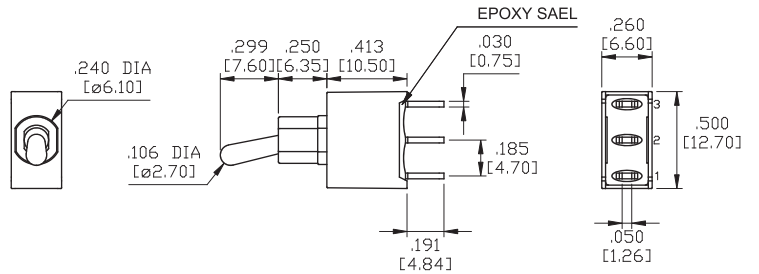
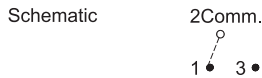
# Series 100A/C

# (Sealed) Miniature Toggle Switches

## SPDT



Model No.	Switching Position		
WSP-1	ON	NONE	ON
WSP-2	ON	NONE	(ON)
WSP-3	ON	OFF	ON
WSP-4	(ON)	OFF	(ON)
WSP-5	ON	OFF	(ON)
Term. Comm.	2-3	OPEN	2-1

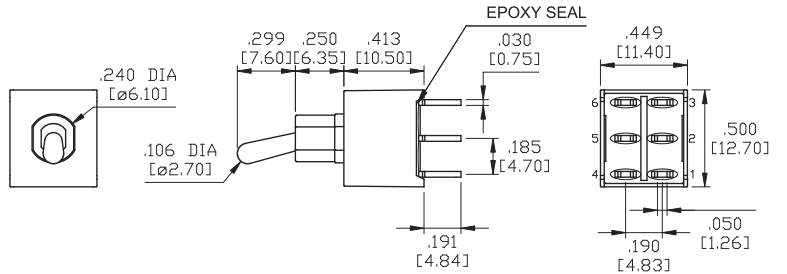
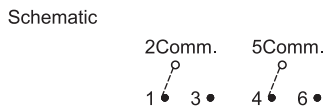


## DPDT

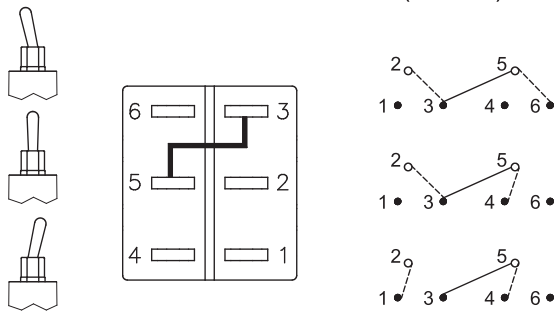


Model No.	Switching Position		
WDP-1	ON	NONE	ON
WDP-2	ON	NONE	(ON)
WDP-3	ON	OFF	ON
WDP-4	(ON)	OFF	(ON)
WDP-5	ON	OFF	(ON)
Term. Comm.	2-3,5-6	OPEN	2-1,5-4

Model No.	Switching Position		
WDP-6	ON	ON	ON
WDP-7	(ON)	ON	(ON)
WDP-8	ON	ON	(ON)
WDP-9	OFF	ON	(ON)
Term. Comm.	2-3,5-6	2-3,5-4	2-1,5-4



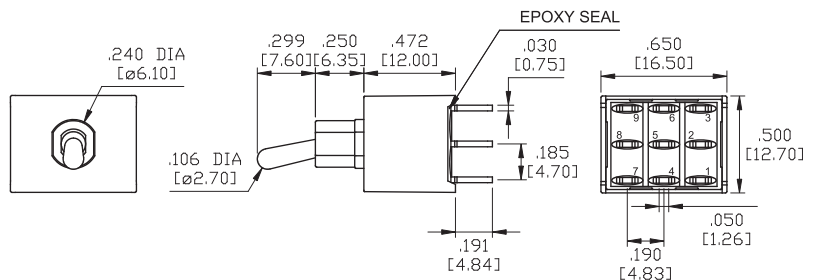
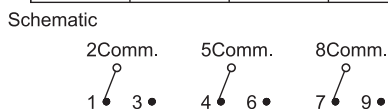
### WIRING FOR ON-ON-ON (3-WAY) FUNCTION



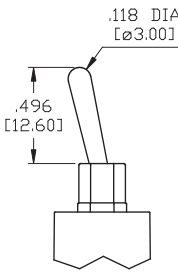
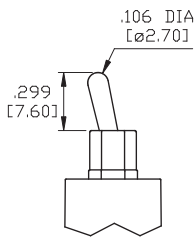
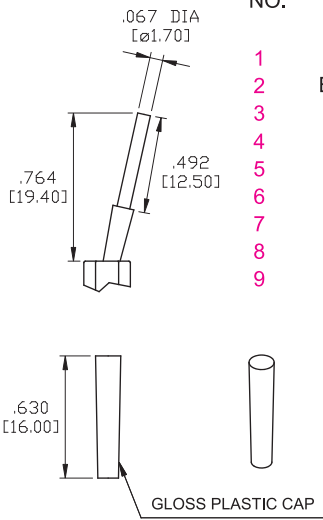
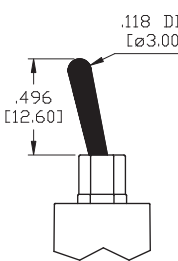
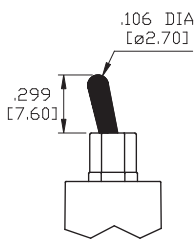
## 3PDT



Model No.	Switching Position		
W3P-1	ON	NONE	ON
W3P-2	ON	NONE	(ON)
W3P-3	ON	OFF	ON
W3P-4	(ON)	OFF	(ON)
W3P-5	ON	OFF	(ON)
Term. Comm.	2-3,5-6 8-9	OPEN	2-1,5-4 8-7



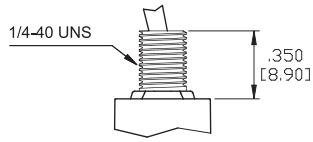
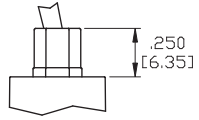
ACTUATOR OPTIONS

<p><b>T1</b></p> 	<p><b>T2</b></p> 	<p><b>T9 WITH PLASTIC CAP</b></p>  <table border="1" data-bbox="1313 301 1495 614"> <thead> <tr> <th>NO.</th> <th>COLOR</th> </tr> </thead> <tbody> <tr><td>1</td><td>White</td></tr> <tr><td>2</td><td>Black(std.)</td></tr> <tr><td>3</td><td>Red</td></tr> <tr><td>4</td><td>Orange</td></tr> <tr><td>5</td><td>Yellow</td></tr> <tr><td>6</td><td>Green</td></tr> <tr><td>7</td><td>Blue</td></tr> <tr><td>8</td><td>Brown</td></tr> <tr><td>9</td><td>Gray</td></tr> </tbody> </table> <p>GLOSS PLASTIC CAP</p>	NO.	COLOR	1	White	2	Black(std.)	3	Red	4	Orange	5	Yellow	6	Green	7	Blue	8	Brown	9	Gray
NO.	COLOR																					
1	White																					
2	Black(std.)																					
3	Red																					
4	Orange																					
5	Yellow																					
6	Green																					
7	Blue																					
8	Brown																					
9	Gray																					
<p><b>P1 PLASTIC TOGGLE</b></p> 	<p><b>P2 PLASTIC TOGGLE</b></p> 																					

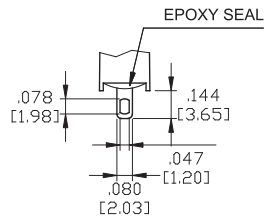
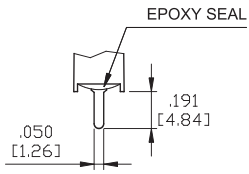
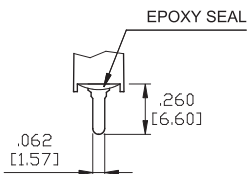
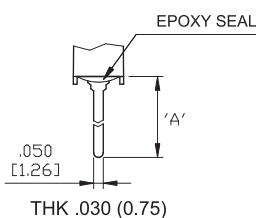
\* Subtract 2.20mm (.087") from actuator height for B1 bushing

\* Subtract 1.90mm (.075) from actuator height for B1 bushing

BUSHING OPTIONS

<p><b>B1</b></p> 	<p><b>B4</b></p> 
--	--

TERMINATION OPTIONS

<p><b>M1 STD. SOLDER LUG</b></p>  <p>THK .030 [0.75]</p>	<p><b>M2 PC THRU-HOLE</b></p>  <p>THK .030 [0.75]</p>	<p><b>M3 QUICK CONNECT</b></p>  <p>THK .030 [0.75]</p>	<p><b>M5 WIRE WRAP</b></p>  <table border="1" data-bbox="1247 1778 1503 2015"> <thead> <tr> <th>OPTION CODE</th> <th>DIM.'A'</th> </tr> </thead> <tbody> <tr><td>M5-1</td><td>.750 [19.05]</td></tr> <tr><td>M5-2</td><td>.964 [24.48]</td></tr> <tr><td>M5-3</td><td>.425 [10.80]</td></tr> <tr><td>M5-4</td><td>1.062 [26.97]</td></tr> </tbody> </table> <p>THK .030 (0.75)</p>	OPTION CODE	DIM.'A'	M5-1	.750 [19.05]	M5-2	.964 [24.48]	M5-3	.425 [10.80]	M5-4	1.062 [26.97]
OPTION CODE	DIM.'A'												
M5-1	.750 [19.05]												
M5-2	.964 [24.48]												
M5-3	.425 [10.80]												
M5-4	1.062 [26.97]												

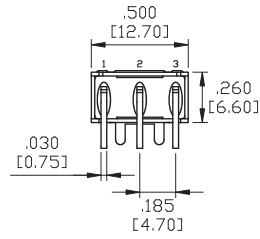
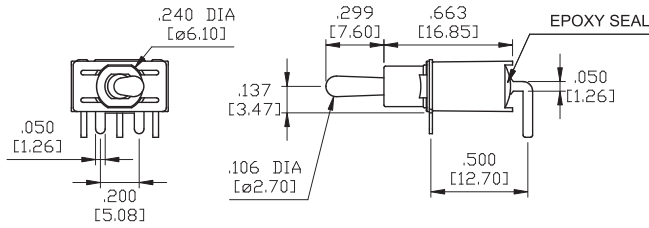
Toggle  
Rocker  
Slide  
Pushbutton  
AV  
Rotary  
Tact  
Touch Key  
Miscellaneous

TERMINATION OPTIONS

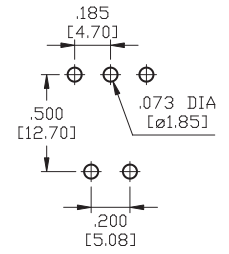
M6



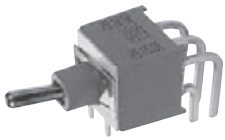
SPDT



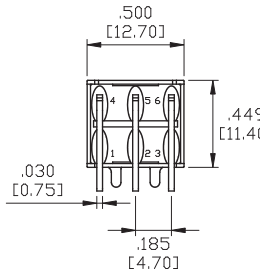
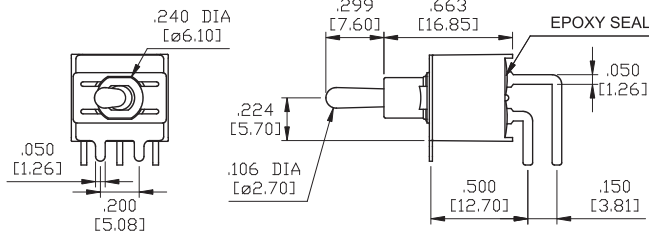
P.C.MOUNTING



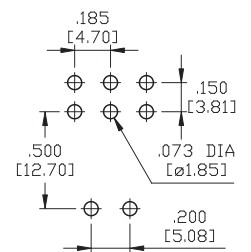
M6



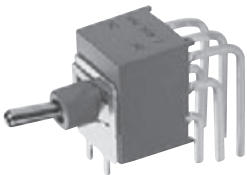
DPDT



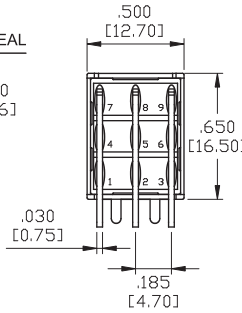
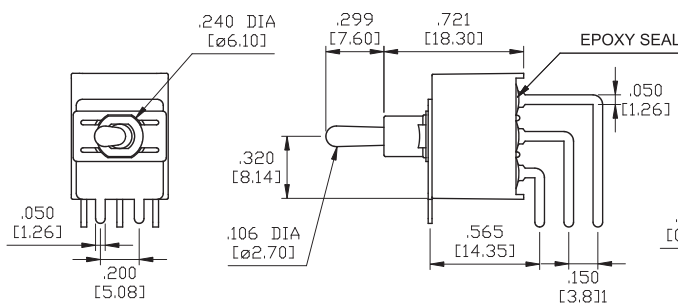
P.C.MOUNTING



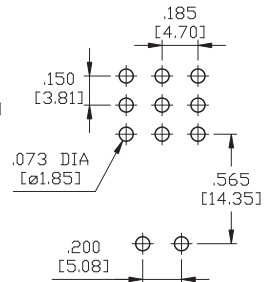
M6



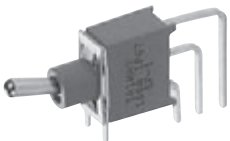
3PDT



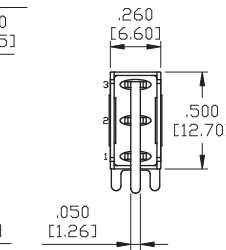
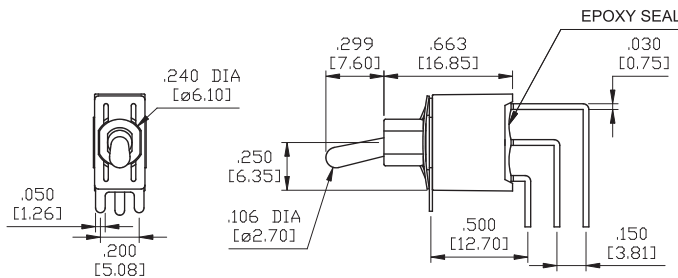
P.C.MOUNTING



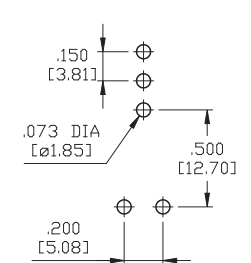
M7



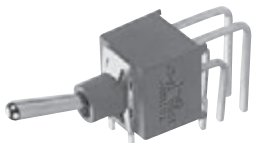
SPDT



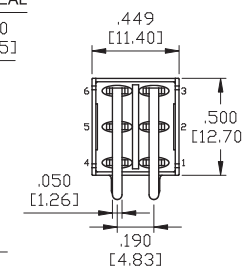
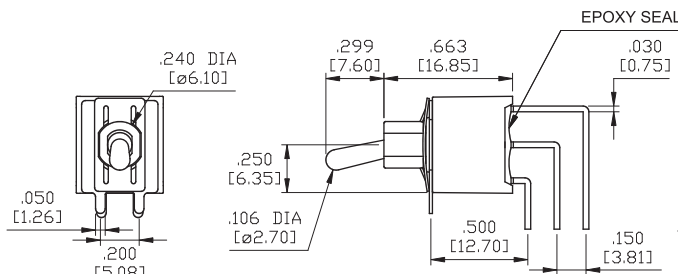
P.C.MOUNTING



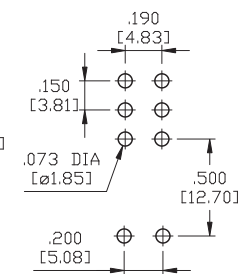
M7



DPDT

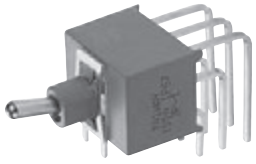


P.C.MOUNTING

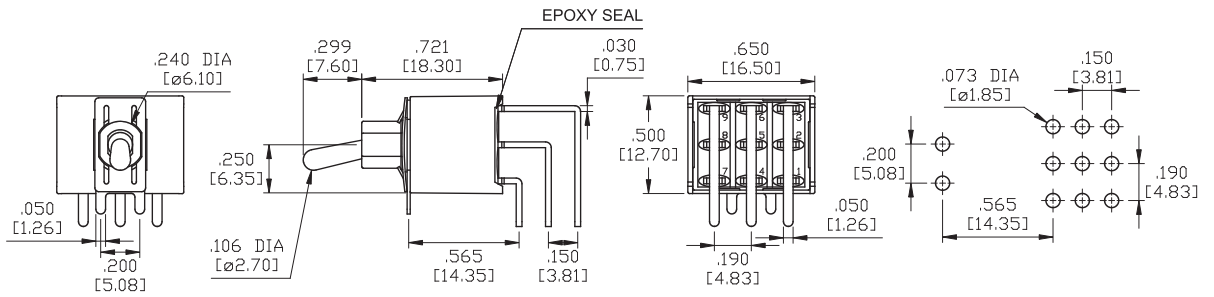


## TERMINATION OPTIONS

M7

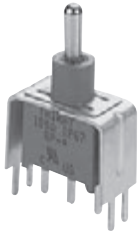


3PDT

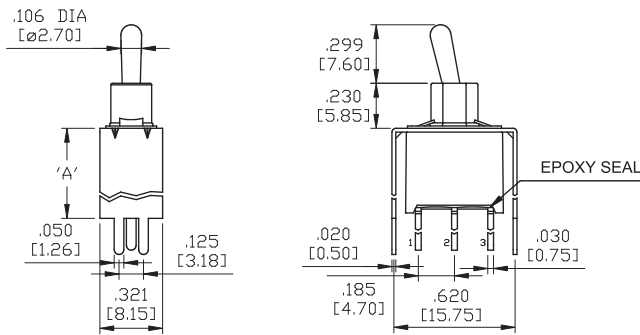


P.C.MOUNTING

VS2-VS3



SPDT



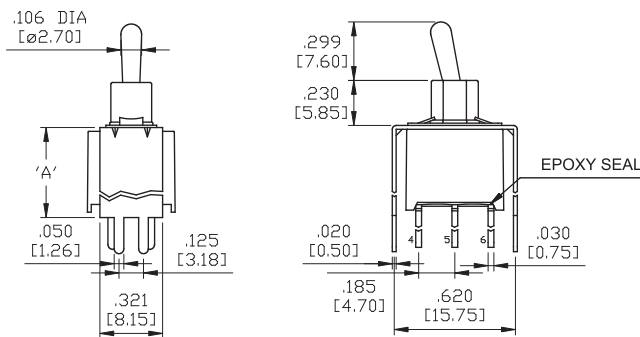
OPTION CODE	DIM.'A'
VS2	.461 [11.70]
VS3	.630 [16.00]

P.C.MOUNTING

VS2-VS3



DPDT



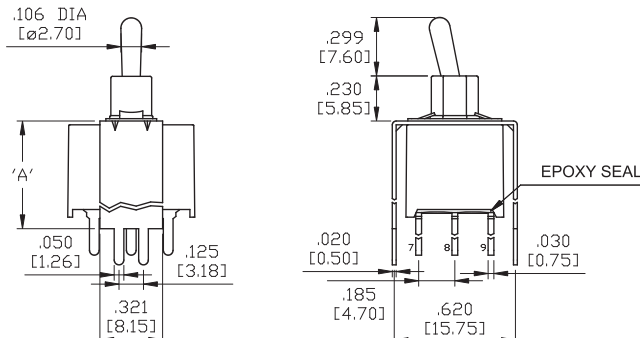
OPTION CODE	DIM.'A'
VS2	.461 [11.70]
VS3	.630 [16.00]

P.C.MOUNTING

U2-VS3



3PDT



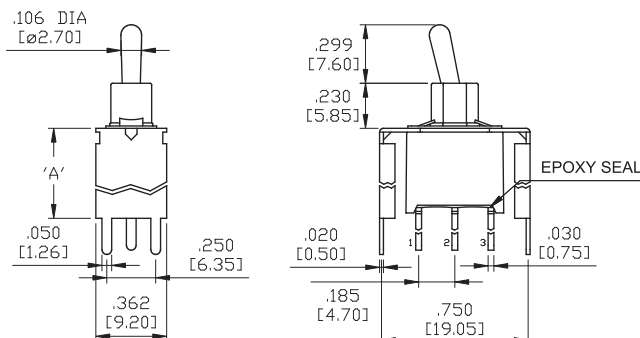
OPTION CODE	DIM.'A'
U2	.551 [14.00]
VS3	.630 [16.00]

P.C.MOUNTING

VS4-VS5



SPDT



OPTION CODE	DIM.'A'
VS4	.461 [11.70]
VS5	.630 [16.00]

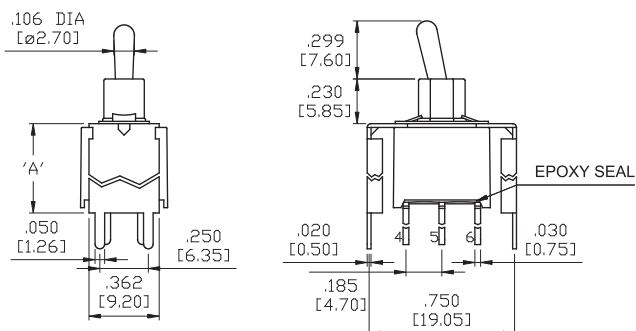
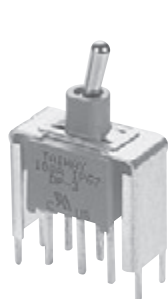
P.C.MOUNTING

Toggle  
Rocker  
Slide  
Pushbutton  
AV  
Rotary  
Tact  
Touch Key  
Miscellaneous

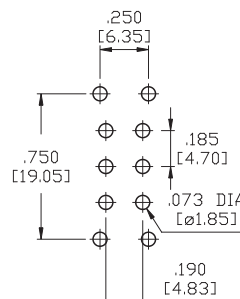
## TERMINATION OPTIONS

### VS4-VS5

### P.C.MOUNTING



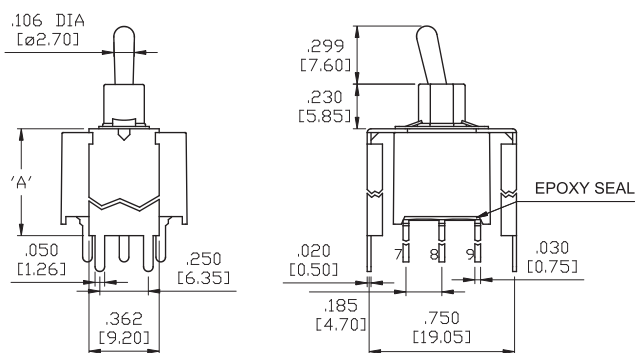
OPTION CODE	DIM.'A'
VS4	.461 [11.70]
VS5	.630 [16.00]



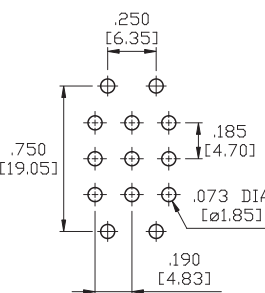
DPDT

### U4-VS5

### P.C.MOUNTING



OPTION CODE	DIM.'A'
U4	.551 [14.00]
VS5	.630 [16.00]

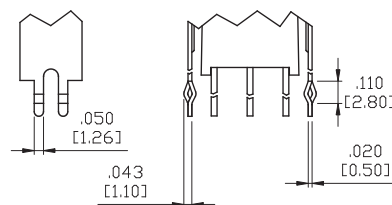
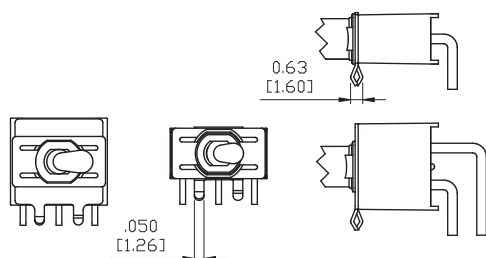


3PDT

## SNAP-IN TERMINATION OPTIONS

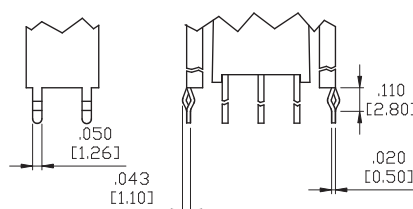
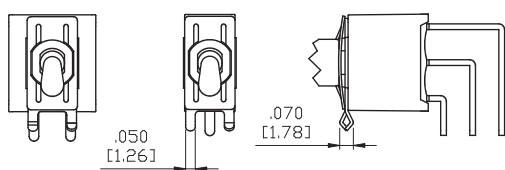
### M61

### VS21,VS31



### M71

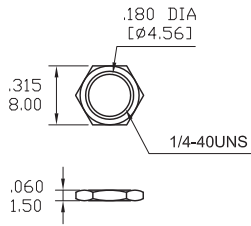
### VS41,VS51



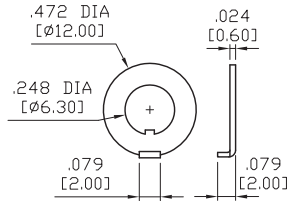
\* PC Mounting for M61,M71,VS21,VS31,VS41,VS51 refer to M6,M7,VS2,VS3,VS4,VS5 respectively.

HARDWARE

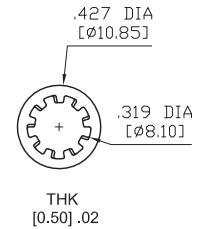
NUT



LOCKING RING




LOCK WASHER



\* Nut,locking ring and lock washer supplied standard with threaded bushings.  
 \* Consult us for optional nut, locking ring and lock washer styles.

CONTACT MATERIAL OPTIONS

Coding	Contact Material	Terminal Plating	Rating	Agency Approvals
G	Silver <sup>1</sup>	Gold over silver <sup>3</sup>	5Amps @ 125VAC or 28VDC 2Amps @ 250VAC	 IP67
P		Tin plated <sup>5</sup> <sup>7</sup>		
R	Gold <sup>2</sup>	Gold plated <sup>4</sup>	0.4VA max @ 20V max (AC or DC)	IP67
K		Tin plated <sup>5</sup> <sup>6</sup>		

\* Standard G plating for sealed product.

1. Movable Contact: Copper alloy, silver plated.
2. Movable Contact: Copper alloy with gold plated over nickel plated.
3. Terminals: Silver plated with outer layer in gold plating.
4. Terminals: Copper alloy, with gold plated over nickel plated.
5. Outer Terminals: Copper alloy with pure tin plated.
6. Terminal Contact: Gold plated over nickel plated.
7. Terminal Contact: Gold over silver plated.

\* P, K not available with M1 and M3 terminals.

\* 6Amps (Movable Contact: coin silver, silver plated) available to model ON-NONE-ON without UL approval

\* IP67 protection for 100A series only.