

NEW !



**SPECIFICATIONS:**

RATING: 0.5A 220VAC / 0.7A 24VDC.

ELECTRICAL LIFE: 50,000 cycles.

CONTACT RESISTANCE: 50m-ohms Max.

INSULATION RESISTANCE: 100M-ohms min @ 500VDC.

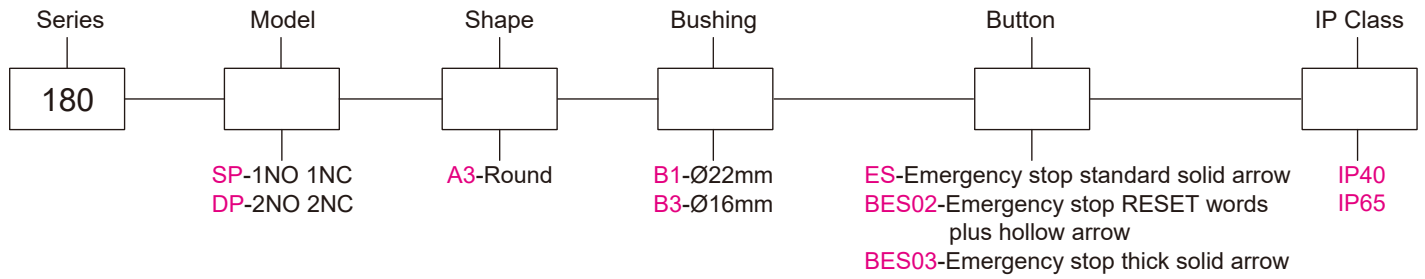
OPERATING TEMPERATURE: -25°C to +55°C.

**FEATURES:**

- Ø22/16mm: IP65 or IP40.
- SPDT & DPDT.

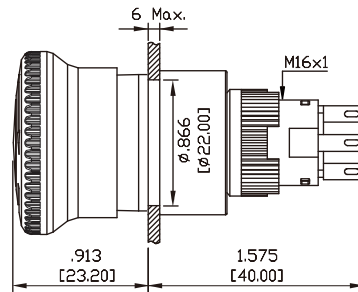
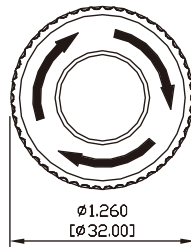
If your preferred product configuration is not shown, please contact our sales representative for custom design.

**HOW TO ORDER SYSTEM**

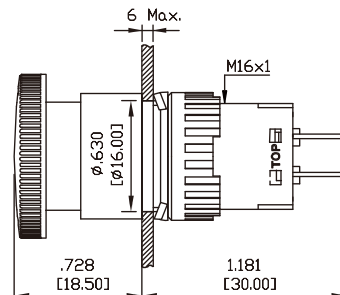
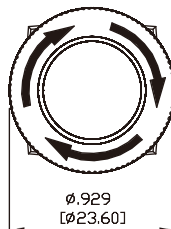


**Bushing & Button**

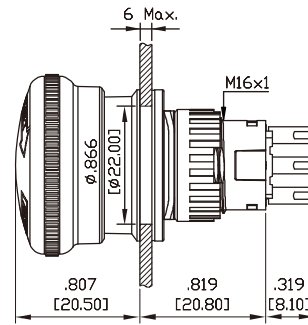
B1 ES



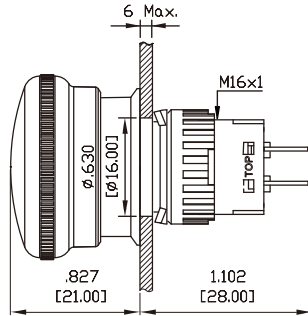
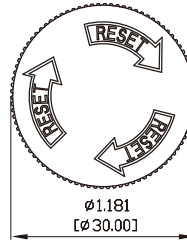
B3 ES



B1 BES02



B3 BES02



B1 BES03

